

## Dell Compact Charging Cart - 36 Devices

The Dell Compact Charging Cart—transports, secures, and charges 36 Notebooks, Chromebooks, Ultrabooks, or tablets. Intended for Institutional Use.

Model:  
ERGITD-013

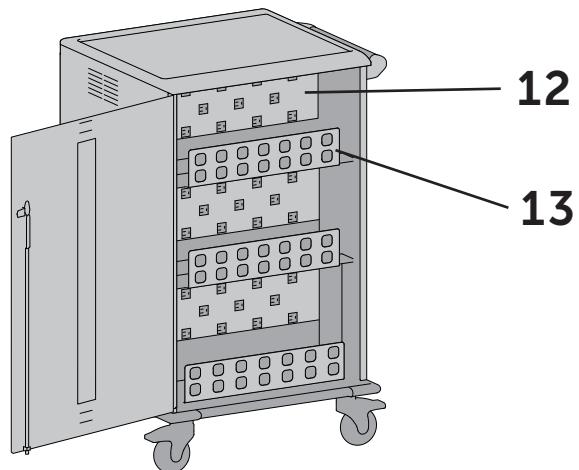
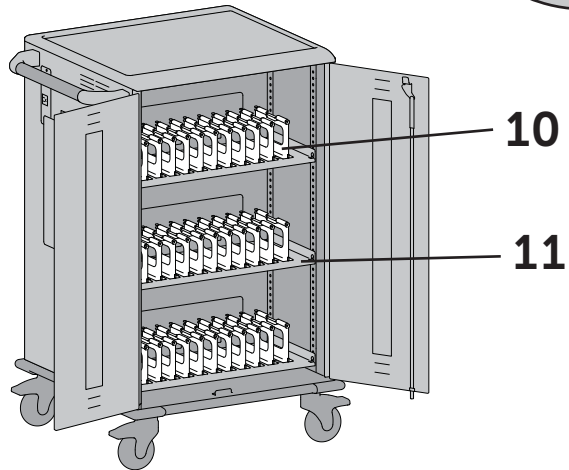
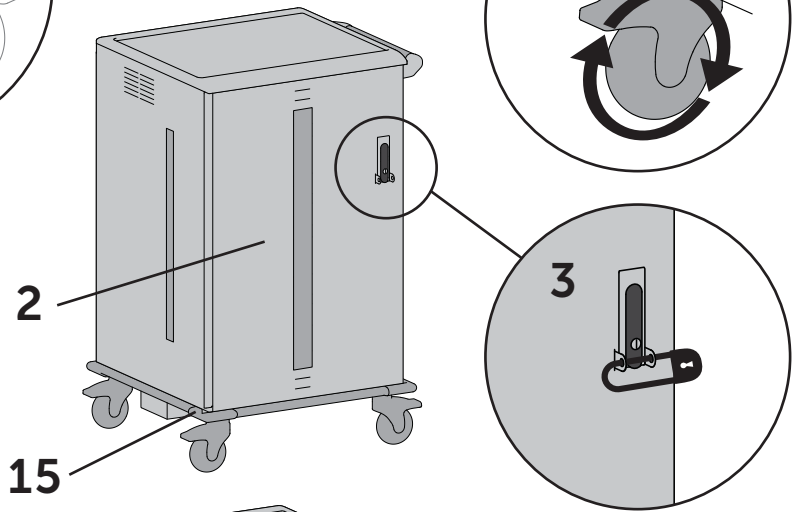
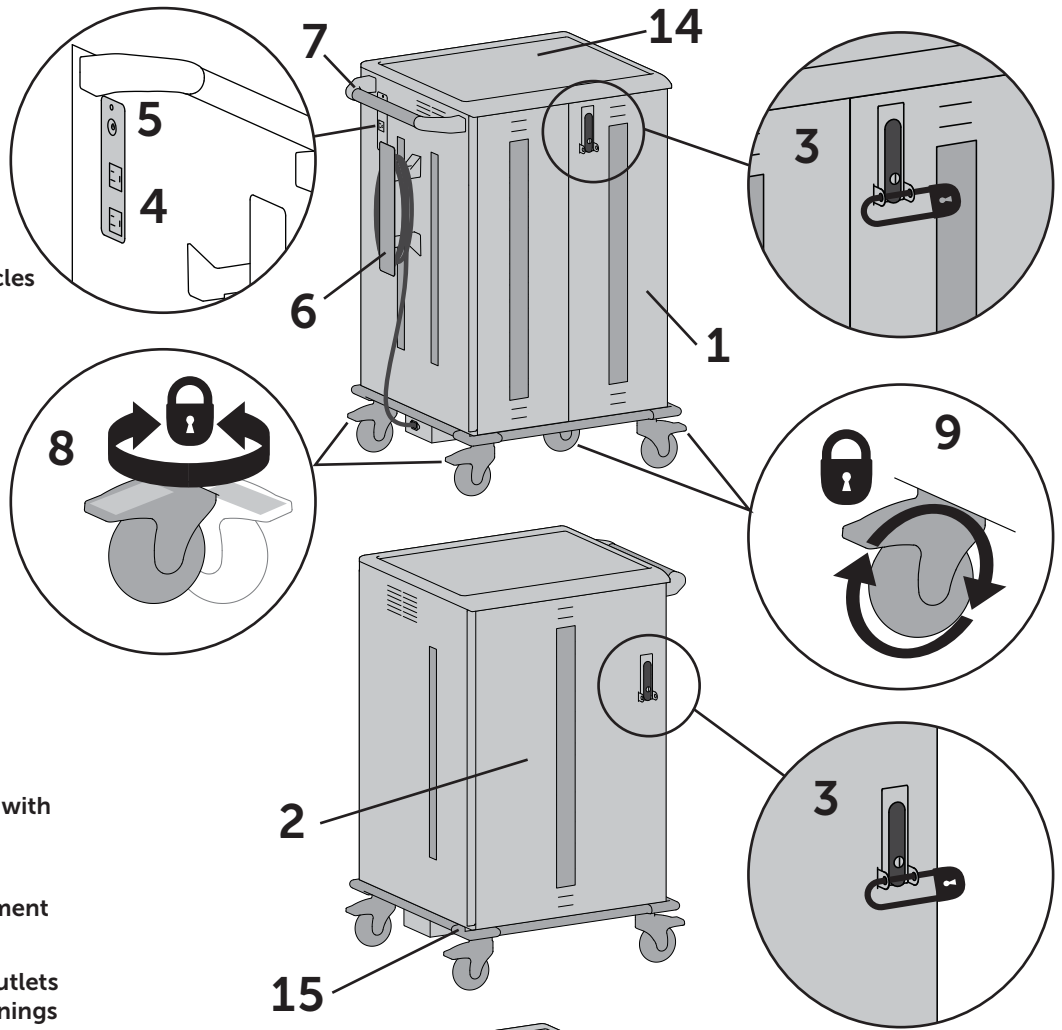


0JY3D8A00

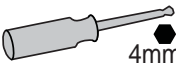

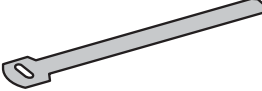
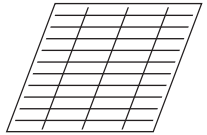
For service, visit [www.ergotron.com/Dell](http://www.ergotron.com/Dell)  
or [www.dell.com/support](http://www.dell.com/support)

# Features & Specifications

- 1 Locking Front Doors
- 2 Locking Back Door
- 3 Front and Back Locking Door Latch with Padlock Bracket
- 4 Two External Power Receptacles
- 5 Power Switch with Indicator Light
- 6 Cord Wrap with Detachable Power Cord
- 7 Ergonomic Handle
- 8 Two Directionally Locking Casters (Blue Tab)
- 9 Two Locking Casters
- 10 Removable Device Dividers with Cable Channels
- 11 Shelves with Height Adjustment
- 12 Center Panel with Power Outlets and Cord pass through openings
- 13 Power Adapter Storage Trays
- 14 Top Shelf with 1/4" high lip
- 15 Corner Bumpers

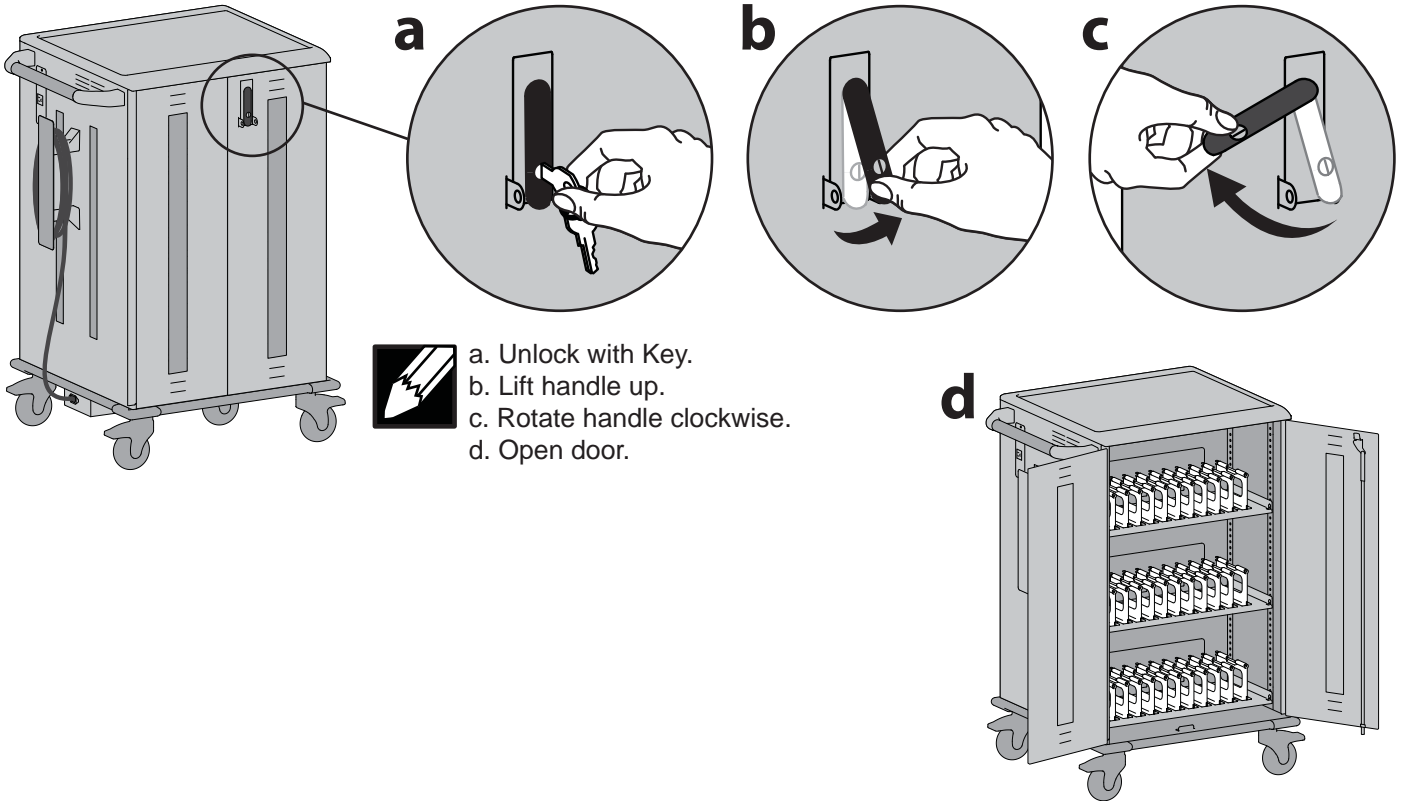


## Ship with Items List:

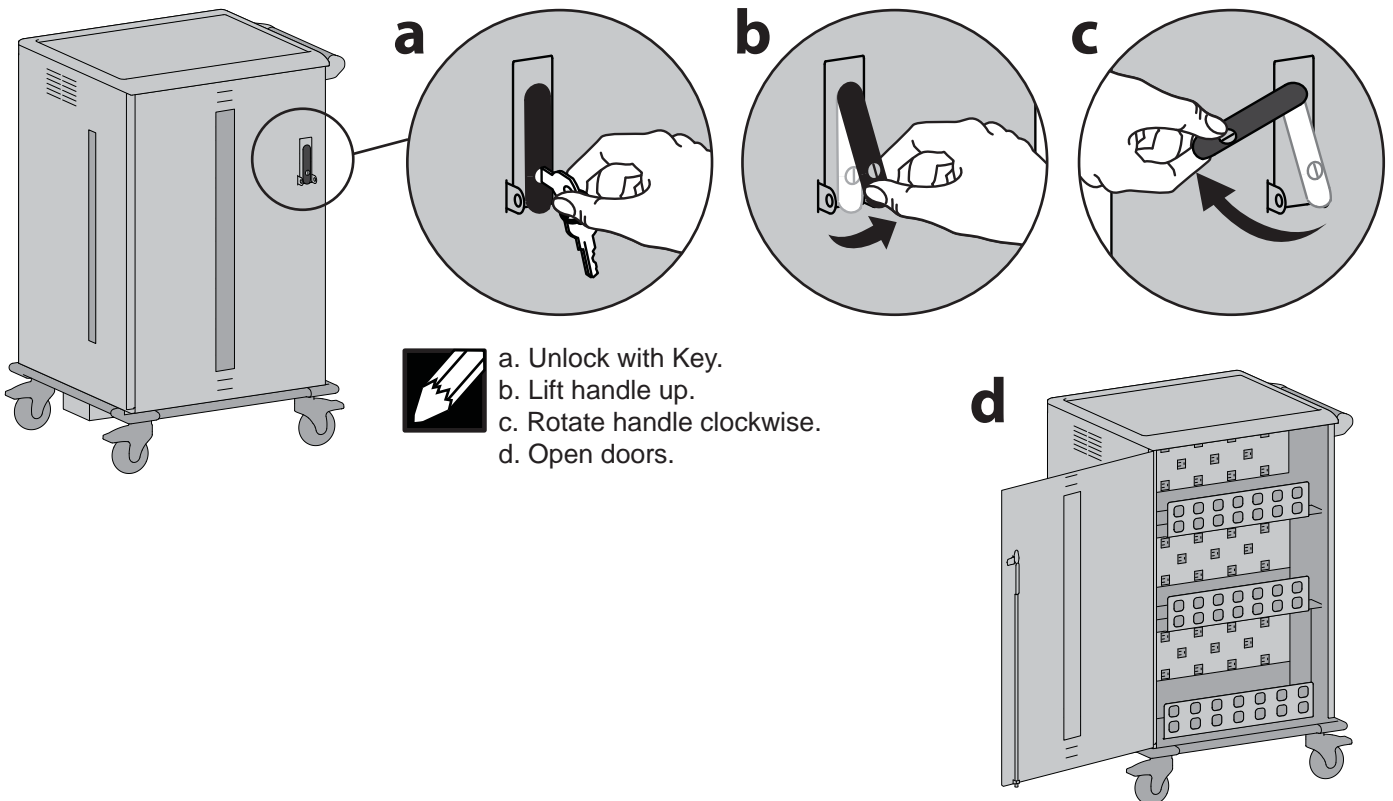
1x	 4mm
2x	
36x	
1x	 Shelf labels (1-40)

# Set-Up and Go

## 1 Unlock and open front doors.

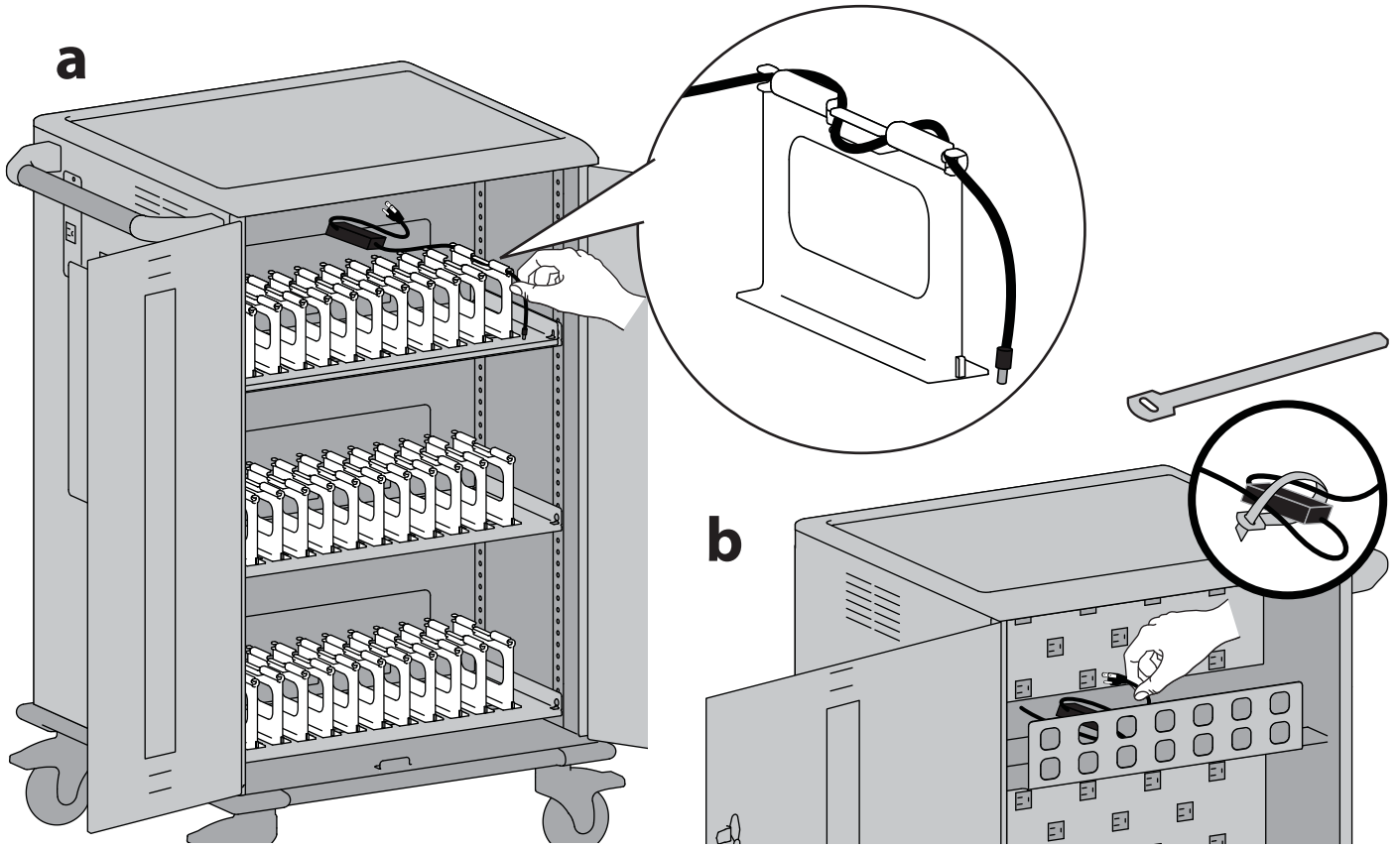


## 2 Open back door.



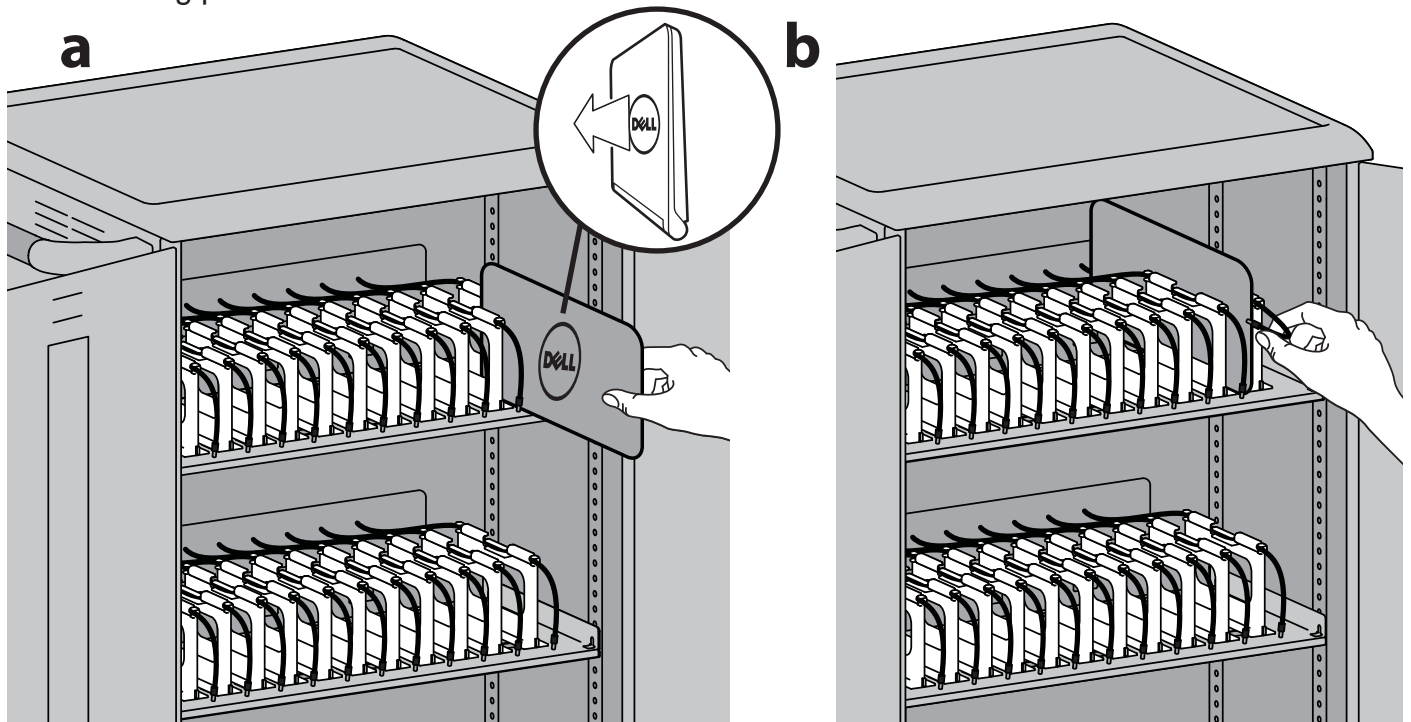
# Set-Up and Go

- 3** a. Route device cables into dividers.  
b. Route adapters through cart to back of cart and plug into outlets.



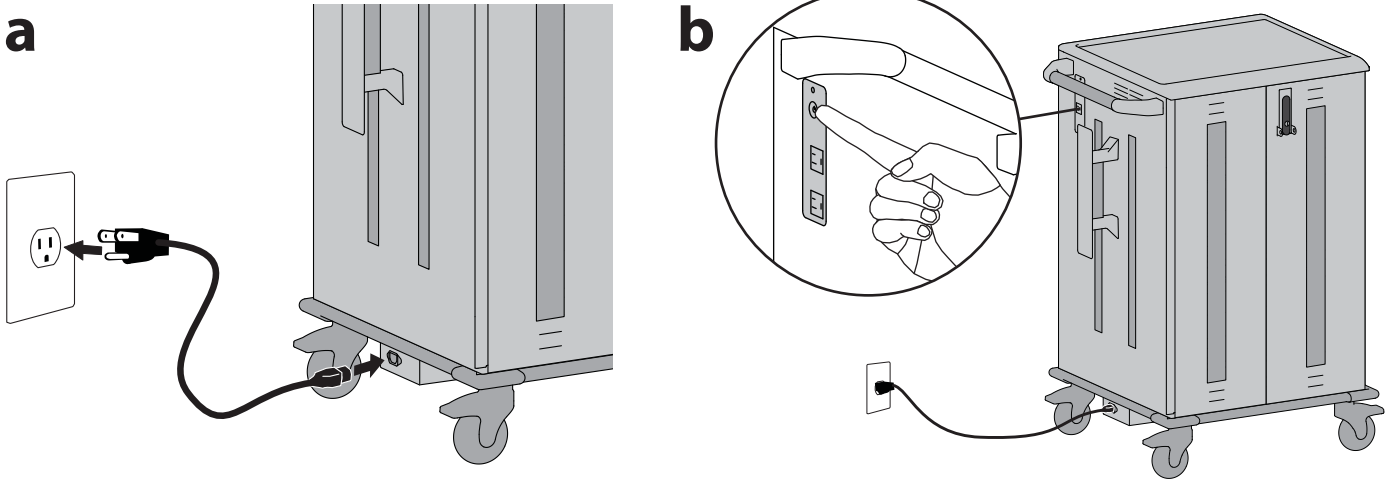
Store adapters and bundled cables on adapter shelves.

- 4** a. Insert device into divider.  
b. Plug power cable into device.

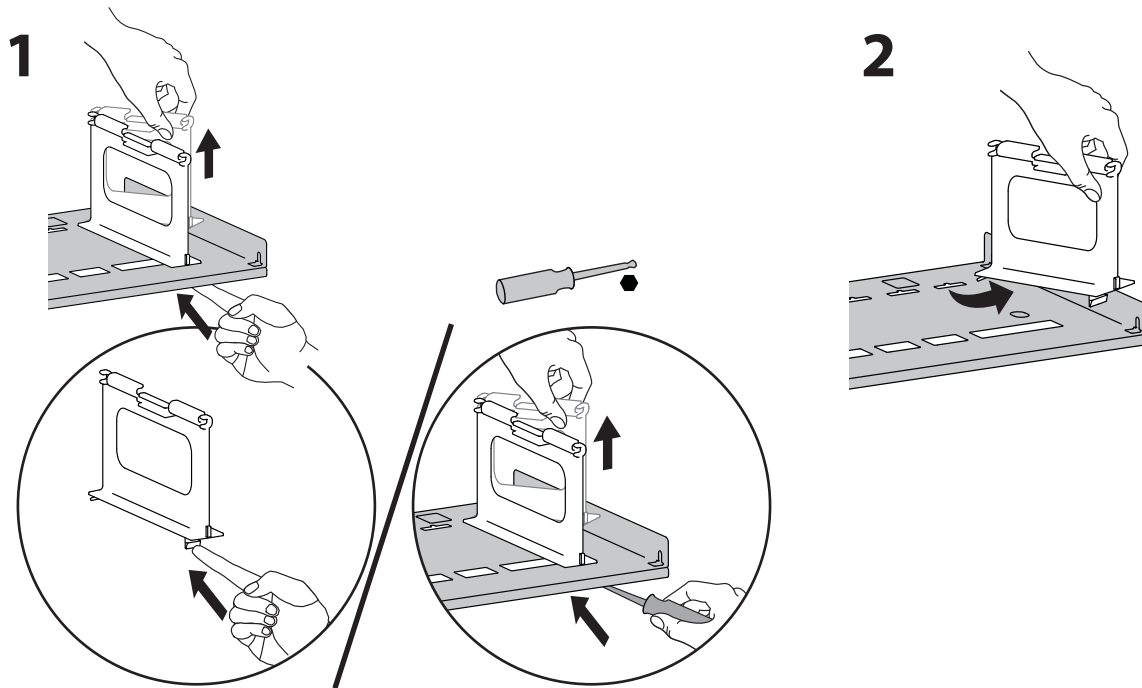


# Set-Up and Go

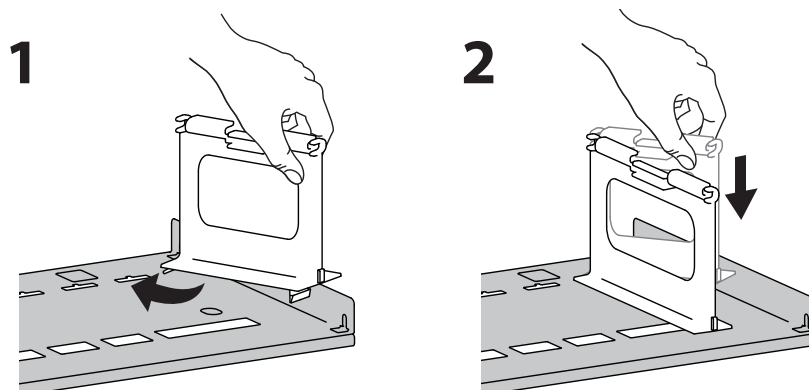
- 5** a. Plug power cord into base of cart and into wall outlet.  
b. Push power button to turn on power.



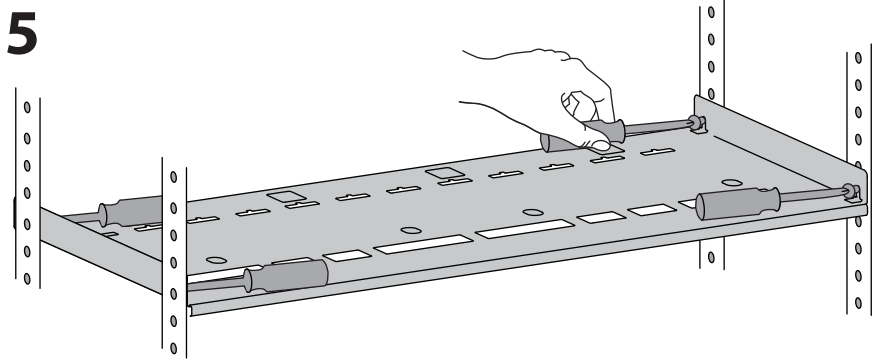
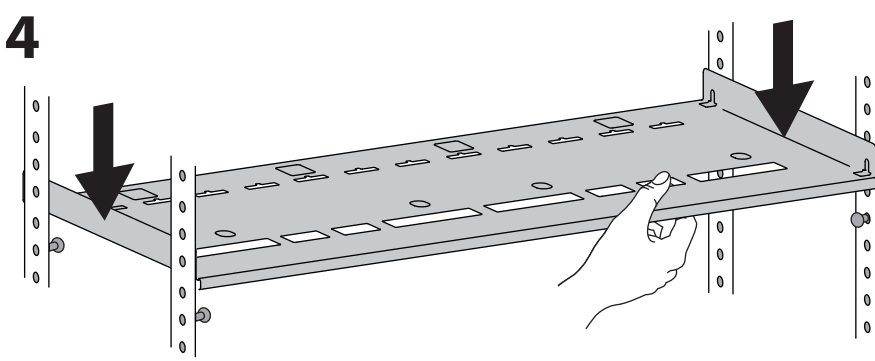
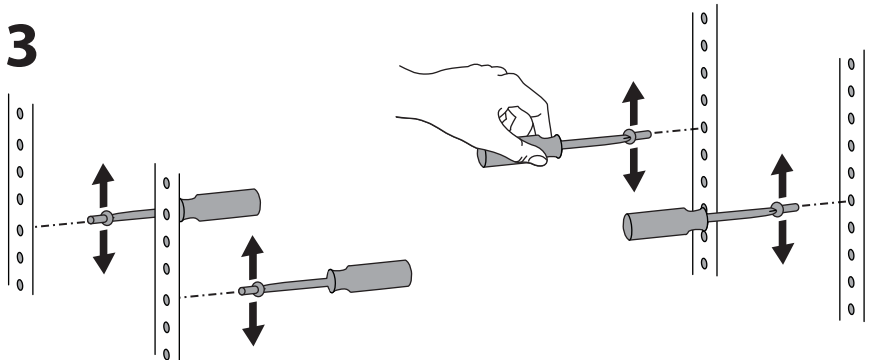
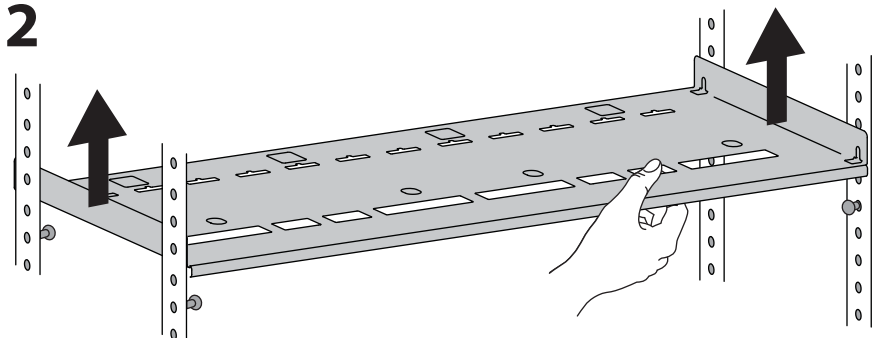
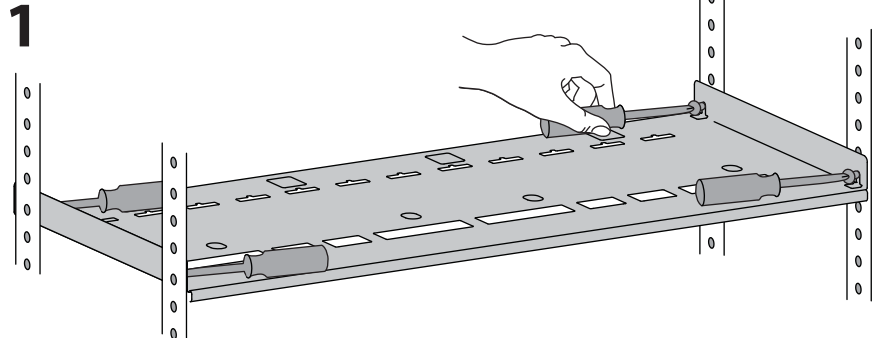
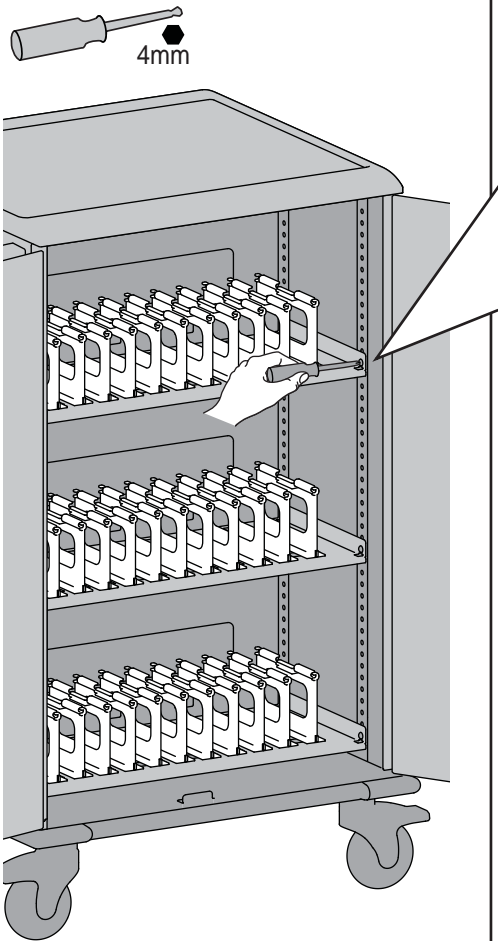
## How to Remove Dividers



## How to Replace Dividers




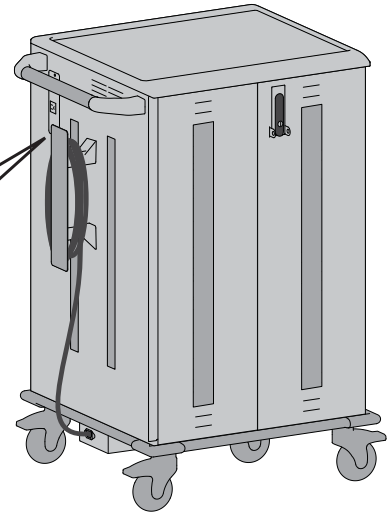
# How to Adjust Shelf Height



# Service and Warranty

For service, visit [www.ergotron.com/Dell](http://www.ergotron.com/Dell)  
or [www.dell.com/support](http://www.dell.com/support)

 **NOTE:** When contacting customer service reference the serial number located above the external cable management bay.



Serial Number is required for warranty entitlement.

Made In China DP/N 032NMJ

CH-032NMJ-14941-XXX-### Rev A00

Service Tag: ABC1234

## Specifications

### Power System

120V~, 12A 60Hz

### Physical Dimensions

Height: 106 cm (41.7-inches)

Length: 73 cm (28.7-inches)

Width: 64 cm (25-inches)

Weight (without Mobile Devices) 80 kg (176 lb)

Weight Capacity:

Top Surface 11.3 kg (25 lb)

Shelves (Top, Middle, Bottom) ea. 27.2 kg (60 lb)

Adapter Shelves (ea.) 5.4 kg (12 lb)

Tip Test/Angle 10 degrees

Generally compatible with most 13" display devices and some 14" devices.

### Environmental

Temperature range:

Operating 0° to 30°C (32° to 86°F)

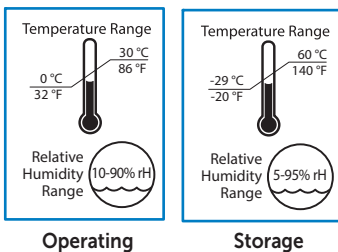
Storage -29° to 60°C (-20° to 140°F)

Relative humidity (maximum):

Operating 10%–90% (non condensing)

Storage 5%–95% (non condensing)

Altitude (maximum): 2000 m (6,562 ft)



Elevated Operating Ambient - Consideration should be given to installing the cart in an environment compatible with the maximum ambient temperature T<sub>ma</sub> of 30 degree C.

# Troubleshooting Guide

## The white ON/OFF switch is flashing. What does that mean?

There is an over-current condition that cannot be resolved. Power has been removed to the devices. An over-current condition could be a defective device installed or possibly something plugged into external auxiliary outlet causing too much current. To correct, remove source of over-current condition, then unplug from wall and then plug back in, or push power switch OFF then back ON to reset. If you cannot determine which device is causing the over-current condition, unplug all devices, turn cart on and plug in one device at a time to determine which device is causing the over-current condition.

## When I plug in the unit it trips the circuit breaker in my building. Help!

The carts are designed to run on a 15 amp circuit. If you have other items plugged into the same circuit you may be overloading it. Have a qualified electrician check that adequate power is available.





## How can I make the cart easier to steer?

This cart has two directional lock casters to make the cart easier to steer. How? Directional lock casters don't swivel - they lock the direction of the casters so they move in a straight line. Press the blue tabs of these casters (located under the handle) when you need to move the cart more than a few feet. When you need to maneuver into tight spaces, release the tabs so the casters swivel.

# Product and Safety Alerts

## Hazard Symbols Review

These symbols alert users of a safety condition that demands attention. All users should be able to recognize and understand the significance of the following Safety Hazards if encountered on the product or within the documentation. Children who are not able to recognize and respond appropriately to Safety Alerts should not use this product without adult supervision!

Symbol	Signal Word	Level of Hazard
	<b>NOTE</b>	A NOTE indicates important information that helps you make better use of this product.
	<b>CAUTION</b>	A CAUTION indicates either potential damage to hardware or loss of data and tells you how to avoid the problem.
	<b>WARNING</b>	A WARNING indicates either potential for property damage, personal injury, or death.
	<b>ELECTRICAL</b>	An Electrical indicates an impending electrical hazard which, if not avoided, may result in personal injury, fire and/or death.



# Equipment Electrical Safety

There are specific risks associated with the use of equipment having power cables. You must be aware of, and avoid these risks when the Cart is located in close proximity to children.

 **WARNING:** Failure to observe the following Electrical Safety notices can result in fire or death by electric shock.


 **Electrical:** Electrical cables can be hazardous. Misuse can result in fire or death by electrical shock.


- Inspect power cables thoroughly before each use.
- Do not use cables that are damaged.
- Insert the plug completely into the outlet.
- Grasp the plug to remove from the outlet.
- Do not unplug by pulling on the cable.
- Do not use excessive force to make connections.
- Use only Dell power adapters that come with Dell systems with this cart.
- Do not plug the cable into an extension cable.
- Do not remove, bend or modify any metal prongs or pins of cable.
- Do not drive, drag or place objects over the cable.
- Do not walk on the cable.
- Avoid overheating. Uncoil the cable and do not cover it with any material.
- Do not run cable through doorways, holes in ceilings, walls or floors.


 **Electrical: Keep the Cart away from water.**


- Do not use it when wet.
- Do not place the Cart in close proximity to flammable liquids or gases.

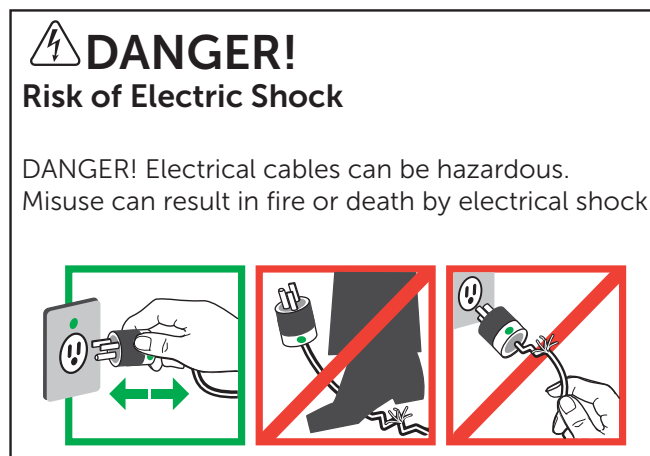
 **CAUTION:** No TV/Monitor to be used on top of cart.

 **CAUTION:** Observe all the safety precautions related to the operation and maintenance included in this reference guide! Failure to follow the safety precautions may result in injury or damage to equipment.

 **CAUTION:** There is no on/off switch on this equipment; the only power disconnect is the AC power cable. Therefore, the socket outlet should be easily accessible and should be installed near the equipment.

 **WARNING –** Death or serious injury may occur when children climb on audio and/or video equipment furniture. A remote control or toys placed on the furnishing may encourage a child to climb on the furnishing and as a result the furnishing may tip over on to the child.

 **WARNING –** Relocating audio and/or video equipment to furniture not specifically designed to support audio and/or video equipment may result in death or serious injury due to the furnishing collapsing or over turning onto a child.



# Cleaning and Maintenance



**WARNING:** Failure to observe the following safety notices may result in serious personal injury or equipment damage.

Inspect for damage, dirt and debris on a regular basis. All paint and plastic components used in the Cart will withstand cleaning by most commonly used, diluted, non-abrasive solutions such as quaternary ammonia compounds, ammonia enzyme cleaners, bleach, or alcohol solutions. It is recommended that any cleaning solution be tested on a small, inconspicuous area to ensure it does not harm the surface of the Cart.

- Marks from permanent marker, dry-erase marker, and pens can be removed with 91% isopropyl alcohol and a soft cloth.
- Iodine stains can be removed with commonly used cleaners and a soft cloth.
- Do not use steel wool or other abrasive materials that may damage the surface finish.



**Electrical:** To avoid risk of electric shock, do not expose electrical components to water, cleaning solutions or other potentially corrosive liquids or substances.



**Electrical:** Do not immerse Cart or Cart components in liquid or allow liquids to flow into the Cart. Wipe all cleaners off surface immediately using a damp cloth. Dry the surface thoroughly after cleaning.



**Electrical:** Do not use flammable cleaners on Cart surfaces.



**CAUTION:** Adjustment, Service, Replacement - DO NOT attempt to adjust, service or replace any part of the Cart unless directed to do so through Ergotron-approved documentation (i.e. installation instructions). Only Ergotron, Inc. or an Ergotron-certified entity may adjust, service or replace Cart components. If any component on the Cart is missing or damaged, the Cart must not be used. Contact Ergotron immediately to request a replacement part.



**CAUTION:** Casters - Check casters periodically to make sure they are clean and free of debris that would prevent smooth travel. Avoid moving Cart across uneven, dirty, or damaged surfaces.



**CAUTION:** Customer Equipment- Make sure equipment is balanced and installed securely to Cart. Contact Ergotron for information about moving Cart components.



**CAUTION:** Changes or Modifications not expressly approved by Ergotron could void the user's authority to operate the equipment.

# Safe Use Recommendations

There are specific risks associated with the use of Cart when moving or stationary (for charging or storage). You must be aware of, and avoid these risks when the Cart is located in close proximity to children.

 **WARNING:** Failure to observe the following Cart Use Safety notices may result in serious personal injury or equipment damage.

## Only Adults should move this cart.

- Do not allow anyone to sit, stand, or climb on the Cart.
- Do not lift the Cart from the bottom.
- Do not block the vent openings. To prevent overheating, leave at least 127 mm (5-inch) clearance around vents.

## The Cart is designed to be used indoors only.

- Do not use the Cart to transport or store equipment other than what has been noted in this guide.
- Do not use the Cart to store liquids or cleaning supplies.
- Do not place heavy objects on the Cart surface or shelf.
  - The maximum weight capacity of the top surface is 11.4 kg (25 lb).
  - The maximum weight capacity of each device shelf is 27.2 kg (60 lb).
  - The maximum weight capacity of each adapter shelf is 5.4 kg (12 lb).

## Moving the Cart

- Before moving the Cart:
  1. Disconnect the power cable from the wall.
  2. Make sure the cable is wrapped and secure.
  3. Close and lock the doors.
  4. Remove items from the top work surface.
  5. Unlock the front rotational locking casters.
- Push (do not pull) the Cart for optimum maneuverability and to prevent muscle strain.
- Do not move the Cart across rough, uneven or irregular surfaces such as gravel.

## Parking the Cart

Observe these safety alerts for times when the cart is stationary:

- Do not park the Cart in areas of heavy traffic.
- Do not run cables through doorways, holes in ceilings, walls, or floors.
- Do not run cables across hallways, classrooms, or other areas where they will be walked on.
- Do not leave Cart unattended in areas where children have access.
- Keep Cart doors closed and locked whenever it is unattended or parked for charging or storage.
- Keep Cart front rotational locking casters locked whenever it is unattended.



# Safety, Environmental, and Regulatory Information

ENGLISH

## Waste Electrical and Electronic Equipment (WEEE) Directive

This label indicates that this product should not be disposed of with household waste. It should be deposited at an appropriate facility to enable recovery and recycling. For information on how to recycle this product in your country, please visit: [Dell.com/recycle](http://Dell.com/recycle).

### 废弃电气电子设备 (WEEE) 指令

此标签表明该产品不得与生活垃圾一同处理。它应置于适当的设施中以便能够回收和循环利用。有关在贵国和地区如何回收本产品的信息，请访问 [Dell.com/recycle](http://Dell.com/recycle)。

### Директива за изхвърляне на електрическо и електронно оборудване (WEEE)

Този етикет означава, че този продукт не бива да се изхвърля заедно с домашните отпадъци. Той трябва да бъде изхвърлен на подходящо място, за да се позволи възстановяването или рециклирането му. За информация относно отговорността за рециклиране на този продукт във вашата страна, молимо посетете: [Dell.com/recycle](http://Dell.com/recycle).

### Směrnice WEEE (Waste Electrical and Electronic Equipment)

Tento štítek označuje, že tento produkt nesmí být likvidován s domovním odpadem. Musí být předán specializované sběrně pro recyklaci a další využití. Pokyny o recyklaci tohoto produktu ve vaší zemi viz: [Dell.com/recycle](http://Dell.com/recycle).

### Direktiv for bortscaffelse af elektrisk og elektronisk udstyr (WEEE)

Denne etiket indikerer, at dette produkt ikke bør kasseres sammen med husholdningsaffald. Det bør bortscaffes ved en egnet facilitet for at muliggøre genbrug. For information om hvordan dette produkt genbruges i dit land, bedes du gå til: [Dell.com/recycle](http://Dell.com/recycle).

### Richtlijn WEEE, Waste Electrical and Electronic Equipment (afदान van elektrische en elektronische apparaten)

Dit label geeft aan dat dit product niet via huishoudelijk afval mag worden afgedankt. Het moet gedeponerd worden bij een daarvoor geschikte voorziening zodat herstel en recycling mogelijk zijn. Raadpleeg voor meer informatie over verantwoorde recycling van dit product in uw land de website: [Dell.com/recycle](http://Dell.com/recycle).

### Elektriliste ja elektrooniliste seadmete kasutusjärgne töötlemine (direktiiv WEEE)

Selline silt tähistab toodet, mida ei tohi pärast kasutust olmejäätmete hulka visata. Tootle toode tuleb viia jäätmekäitlusettevõttesse, kus seda nõuetekohaselt töödeldakse. Toote käitlemise kohta oma kodumaal leiate teavet aadressilt [Dell.com/recycle](http://Dell.com/recycle).

### Direktiivi sähkö- ja elektroniikkalaiteromusta (WEEE)

Tämä tarra tarkoittaa, että tuotetta ei tule hävittää kotitalousjätteen joukossa. Se tulee toimittaa asianmukaiseen paikkaan uudelleenkäyttöä tai kierrätystä varten. Tietoja tämän tuotteen kierrättämisestä eri maissa saat seuraavasta osoitteesta: [Dell.com/recycle](http://Dell.com/recycle).

## Directive sur la mise au rebut des appareils électriques et électroniques (Waste Electrical and Electronic Equipment - WEEE)

Cette étiquette indique que ce produit ne doit pas être jeté avec les déchets ménagers. Il doit être mis au rebut dans un centre de dépôt spécialisé pour un recyclage approprié. Pour obtenir davantage d'informations sur le recyclage approprié de ce produit dans votre pays, veuillez vous rendre sur le site : [Dell.com/recycle](http://Dell.com/recycle).

### Richtlinie für Abfall von elektrischen und elektronischen Geräten (WEEE)

Dieses Etikett weist darauf hin, dass dieses Produkt nicht mit dem Hausmüll entsorgt werden sollte. Es sollte an einer entsprechenden Einrichtung abgegeben werden, um Wiedergewinnung und Recycling zu ermöglichen. Weitere Informationen über das Recyceln dieses Produkts erhalten Sie unter: [Dell.com/recycle](http://Dell.com/recycle).

### Οδηγία σχετικά με τα απόβλητα ειδών ηλεκτρικού και ηλεκτρονικού εξοπλισμού (AHHE)

Αυτή η ετικέτα υποδεικνύει ότι το συγκεκριμένο προϊόν δεν πρέπει να απορριπτεί μαζί με τα οικιακά απορρίμματα. Θα πρέπει να αποκολληθεί σε κατάλληλο χώρο ώστε να είναι δυνατή η ανάκτηση και η ανακύκλωση. Για πληροφορίες σχετικά με την ανακύκλωση αυτού του προϊόντος στη χώρα σας, επισκεφθείτε τη διεύθυνση: [Dell.com/recycle](http://Dell.com/recycle).

### Waste Electrical and Electronic Equipment (WEEE), azaz az elektromos és elektronikus berendezések hulladékaira vonatkozó irányelv

Az ilyen címkével jelölt terméket tilos háztartási hulladékként kezelni. Az ilyen hulladékok a helyreállítathóság és az újrahasznosíthatóság érdekében a megfelelő elfogadóhelyre kell szállítani. A termék saját országán belül érvényes újrahasznosításával kapcsolatosan információt a következő weboldalon talál: [Dell.com/recycle](http://Dell.com/recycle).

### Direttiva Rifiuti di apparecchiature elettriche ed elettroniche (RAEE)

Questa etichetta indica che il prodotto non deve essere smaltito insieme ai rifiuti domestici. Deve essere depositato in un impianto adeguato che sia in grado di eseguire operazioni di recupero e riciclaggio. Per informazioni sulle procedure di riciclaggio di questo prodotto nel proprio Paese, visitare: [Dell.com/recycle](http://Dell.com/recycle).

### Direktiva par elektriskajiem un elektroniskajiem atkritumiem

Šis apzīmējums norāda, ka produktu nedrīkst izmett kopā ar sadzīves atkritumiem. Tas ir jānodod atbilstošā savākšanas punktā, lai pareizi atjaunotu vai pārstrādātu. Informāciju par šī produkta pārstrādes iespējām jūsu valstī skatiet: [Dell.com/recycle](http://Dell.com/recycle).

### Direktiva dėl elektros ir elektroninės įrangos atliekų (Waste Electrical and Electronic Equipment, WEEE)

Šis ženklas rodo, kad šio gaminio negalima išmesti kartu su buitiniems atliekomis. Nebenaudojamą gaminį reikia atiduoti į tam skirtą punktą atnaujinimui arba perdirbimui. Informacijos apie tinkamą šio gaminio perdirbimą jūsų šalyje rasite interneto svetainėje: [Dell.com/recycle](http://Dell.com/recycle).

## Direttiva dwar Skart maghmul minn Taghmir Elettroniku u Elettriku (Waste Electrical and Electronic Equipment - WEEE)

Din it-tikketta tindika li dan il-prodott m'għandux jintrema ma' l-iskart domestiku. Għandu jintrema f'facilità adattata fejn ikun jista' jiġi rkuprat u riciklat. Għal aktar tagħrif dwar kif għandek tirricikla dan il-prodott fil-pajjiż tiegħek, jekk jogħġbok zur: [Dell.com/recycle](http://Dell.com/recycle).

### Direktivt for kassert elektrisk og elektronisk utstyr (WEEE)

Dette merket angir at produktet ikke skal kastes sammen med husholdningsaffald. Det skal leveres til et mottak for spesialavfall for gjenvinning og resirkulering. For informasjon om hvordan du resirkulerer dette produktet i ditt land, vennligst besøk: [Dell.com/recycle](http://Dell.com/recycle).

### Dyrektiva dotycząca odpadów urządzeń elektrycznych i elektronicznych (WEEE)

etykieta ta oznacza, że tego produktu nie należy wyrzucać razem z odpadami z gospodarstwa domowego. Należy go przekażać do odpowiedniego zakładu, gdzie zostanie poddany odzyskowi i recyklingowi. Informacje o sposobie recyklingu tego produktu w poszczególnych krajach można znaleźć pod adresem: [Dell.com/recycle](http://Dell.com/recycle).

### Diretiva WEEE (Waste Electrical and Electronic Equipment)

Esta etiqueta indica que esse produto não deve ser eliminado juntamente com o lixo normal. Deve ser depositado numa instalação apropriada para recolha e reciclagem. Para obter informações sobre como reciclar este produto de forma responsável no seu país, visite: [Dell.com/recycle](http://Dell.com/recycle).

### Directiva privind deeurile provenite din echipamentele electrice și electronice (WEEE)

Acesta etichetă indică faptul că acest produs nu trebuie aruncat laolaltă cu gunoii menajeri. El trebuie depozitat într-un loc special amenajat pentru a permite recuperarea și reciclarea. Pentru informații privitoare la reciclarea în mod responsabil a acestui produs în țara dvs., [Dell.com/recycle](http://Dell.com/recycle).

### Директива об утилизации электрического и электронного оборудования (WEEE)

Эта маркировка означает, что данный продукт не следует утилизировать вместе с бытовым мусором. Продукт следует утилизировать на специализированном предприятии, чтобы в дальнейшем его можно было переработать. Информацию о правилах утилизации изделий в вашей стране можно получить на веб-узле: [Dell.com/recycle](http://Dell.com/recycle).

### Smernica o odpadoch z elektrických a elektronických zariadení (WEEE)

Tento štítek znamená, že sa výrobok nesmie likvidovať ako komunálny odpad. Musí sa odovzdať na príslušnom mieste na obnovu alebo recykláciu. Informácie o správnej recyklácii tohto produktu vo vašej krajine nájdete na stránke: [Dell.com/recycle](http://Dell.com/recycle).

## Direktiva o odlaganju električne in elektronske opreme (WEEE)

Ta znak označuje, da izdelek ni primeren za odlaganje skupaj z običajnimi gospodinjiskimi odpadki. Odložiti ga je treba na ustreznem mestu za odlaganje in reciklažo. Za informacije o reciklaži tega izdelka v vaši državi obiščite: [Dell.com/recycle](http://Dell.com/recycle).

### Residuos de Aparatos Eléctricos y Electrónicos (RAEE)

Esta etiqueta indica que la eliminación de este producto no se puede hacer junto con el deshecho doméstico. Se debe depositar en una instalación apropiada que facilite la recuperación y el reciclado. Para obtener más información sobre cómo reciclar este producto en su país, visite el sitio web: [Dell.com/recycle](http://Dell.com/recycle).

### Direktiv for kassering av elektrisk och elektronisk utrustning (WEEE - Waste Electrical and Electronic Equipment)

Den här etiketten betyder att produkten inte får slängas i hushållsaffallet. Den ska lämnas in på en återvinningsstation. Information om hur produkten återvinns i ditt land finns på adressen [Dell.com/recycle](http://Dell.com/recycle). Inom EU betyder den här etiketten att produkten inte får slängas i hushållsaffallet. Den ska lämnas in på en återvinningsstation. Information om hur produkten återvinns i ditt land finns på adressen [Dell.com/recycle](http://Dell.com/recycle).

### Waste Electrical and Electronic Equipment (WEEE) Yönergeteri

Bu etiket, ürünün ev elektroniği aletleri atıklar ile imha edilmeyeceğini gösterir. Kurtarmak ve geri dönüşümünü sağlamak için uygun şartlarda saklanması gerekir. Bu ürünün geri dönüşümünün nasıl sağlanacağı konusunda bilgi için lütfen şu adresi ziyaret edin: [Dell.com/recycle](http://Dell.com/recycle). EEE Yönetmeliğine Uygundur. Ve Elektriklik Eşyalarıda Bazi Zararlı Maddelerin Kullanımının Sınırlanırılmasına Dair Yönetmelik.

# Safety, Environmental, and Regulatory Information

## FCC Compliance Statement

This has been tested and found to comply with the limits for a Class A digital device, pursuant to Part 15 of the FCC rules. These limits are designed to provide reasonable protection against harmful interference when the equipment is operated in a commercial environment. This equipment generates, uses, and can radiate radio frequency energy and, if not installed and used according to the instructions, may cause harmful interference to radio communications. Operation of this equipment in a residential area is likely to cause harmful interference in which case the user will be required to correct the interference at their own expense.

Operation of this equipment is subject to the following two conditions: (1) this device may not cause harmful interference, and (2) this device must accept any interference received, including interference that may cause undesired operation.

FCC Caution: Changes or Modifications not expressly approved by Ergotron could void the user's authority to operate the equipment.

This Class A digital apparatus complies with Canadian CAN ICES-3(A)/NMB-3(A). / Cet appareil numérique de la classe A est conforme à la norme CAN ICES-3(A)/NMB-3(A) du Canada.

## Registration, Evaluation, Authorization of Chemicals (REACH)

REACH is the European Union (EU) chemical substances regulatory framework. Information on substances of very high concern contained in Dell products in a concentration above 0.1% weight by weight (w/w) can be found at [Dell.com/REACH](http://Dell.com/REACH)

## Enregistrement, évaluation, autorisation des produits chimiques (REACH)

REACH est le programme de réglementation des produits chimiques dans l'Union européenne (UE). Vous trouverez des informations sur les substances très préoccupantes que contiennent les produits Dell en concentration supérieure à 0,1% en poids (m/m) sur [Dell.com/REACH](http://Dell.com/REACH)

## Registro, evaluación y autorización de productos químicos (Registration, Evaluation, Authorization of Chemicals - REACH)

REACH es el organismo de regulación de sustancias químicas de la Unión Europea (UE). La información sobre sustancias de alto riesgo contenidas en productos Dell en una concentración superior al 0,1% peso por peso (p/p) se puede encontrar en [Dell.com/REACH](http://Dell.com/REACH)

## Registration, Evaluation, Authorization of Chemicals (REACH)

REACH is het regelgevingskader van de Europese Unie (EU) op het gebied van chemische stoffen. Informatie over zeer gevaarlijke stoffen in Dell-producten in een concentratie van boven de 0,1% gewicht per gewicht (w/w) is te vinden op [Dell.com/REACH](http://Dell.com/REACH)

## REACH (Registration, Evaluation, Authorization of Chemicals - Registo, avaliação e autorização de substâncias químicas)

O REACH é o sistema regulador de substâncias químicas da União Europeia (UE). As informações sobre substâncias que são motivo de grande preocupação existentes nos produtos Dell numa concentração acima de 0,1% peso por peso (p/p) podem ser encontradas em [Dell.com/REACH](http://Dell.com/REACH)

## Registrierung, Beurteilung und Zulassung von Chemikalien (REACH, Registration, Evaluation, Authorization of Chemicals)

Die EU-Richtlinie REACH ist das Regelwerk der Europäischen Union für chemische Substanzen. Informationen zu bedenklichen Substanzen, die in Dell-Produkten in einer Konzentration von mehr als 0,1 Gewichtsprozent (w/w, Weight by Weight) enthalten sind, finden Sie unter [Dell.com/REACH](http://Dell.com/REACH)



## Warranty

5 years for mechanical components and functions,  
3 years for electrical components and functions,  
and 1 year for cables. All third-party components  
will follow the warranty as defined by the  
manufacturer.

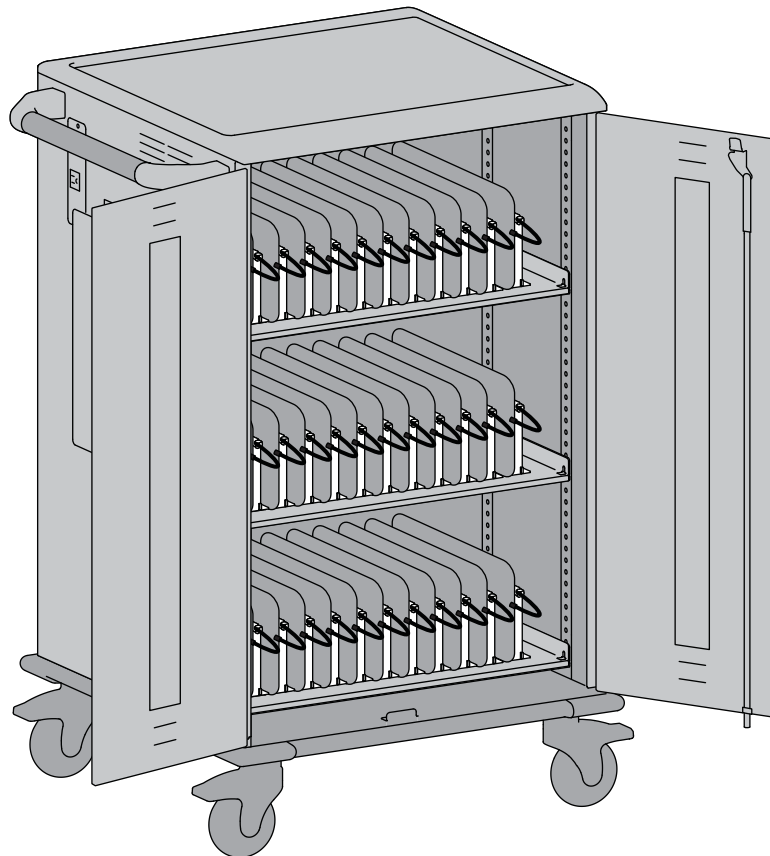
CUSTOM SOLUTION FOR DELL BY ERGOTRON

For service, visit [www.ergotron.com/Dell](http://www.ergotron.com/Dell)  
or [www.dell.com/support](http://www.dell.com/support)

## ERGOTRON®

While Ergotron, Inc. makes every effort to provide accurate and complete information on the installation and use of its products, it will not be held liable for any editorial errors or omissions (including those made in the process of translation from English to another language), or for incidental, special or consequential damages of any nature resulting from furnishing this instruction and performance of equipment in connection with this instruction. Ergotron, Inc. reserves the right to make changes in the product design and/or product documentation without notification to its users. For the most current product information, or to know if this document is available in languages other than those herein, please contact Ergotron. No part of this publication may be reproduced, stored in a retrieval system, or transmitted in any form or by any means, electronic, mechanical, photocopying, recording or otherwise without the prior written consent of Ergotron, Inc., 1181 Trapp Road, Eagan, Minnesota, 55121, USA Patents Pending and Patented U.S. & Foreign. Ergotron is a registered trademark of Ergotron, Inc.





## Dell Compact Charging Cart - 36 Devices

El carro de carga para Dell Compact transporta, protege y carga 36 ordenadores portátiles, Chromebooks, Ultrabooks o tabletas. Diseñado para uso institucional.

Modelo:  
ERGITD-013



0JY3D8A00

Para asistencia técnica, visite [www.ergotron.com/](http://www.ergotron.com/)  
Dell o [www.dell.com/support](http://www.dell.com/support)

# Características y especificaciones técnicas

**1** Puertas frontales con mecanismo de bloqueo

**2** Puerta trasera con mecanismo de bloqueo

**3** Pestillo de puerta con bloqueo frontal y trasera con soporte para candado

**4** Dos receptáculos de alimentación externos

**5** Conmutador de alimentación con luz indicadora

**6** Brida de cable con cable de alimentación de quita y pon

**7** Asa ergonómica

**8** Dos ruedas de bloqueo direccional (lengüeta azul)

**9** Dos ruedas de bloqueo

**10** Divisores de dispositivo extraíbles con canales de cable

**11** Estantes con ajuste de altura

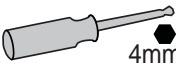

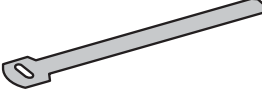
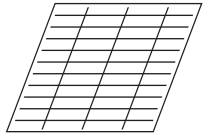
**12** Panel central con tomas eléctricas y paso de cables a través de orificios

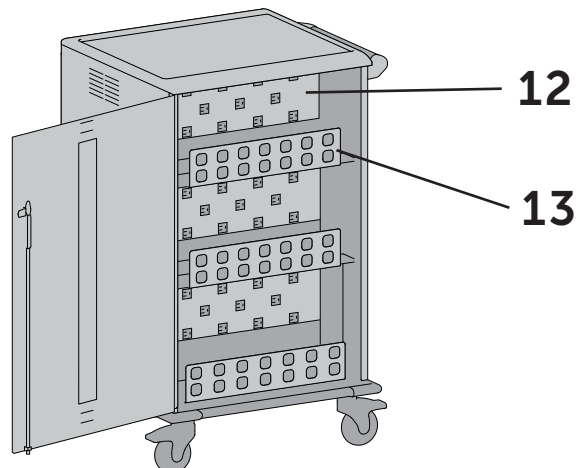
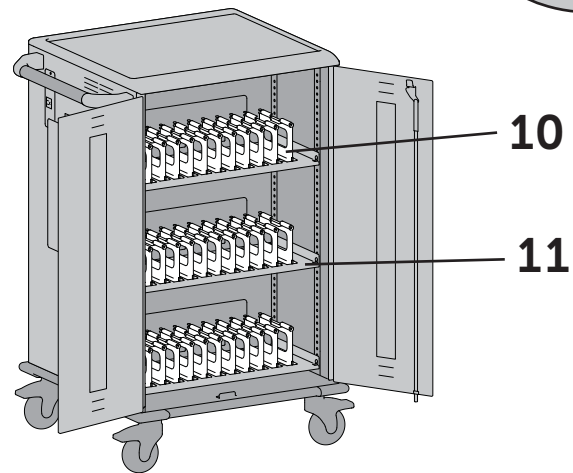
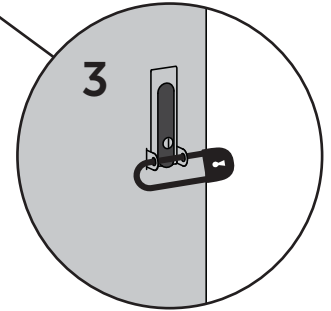
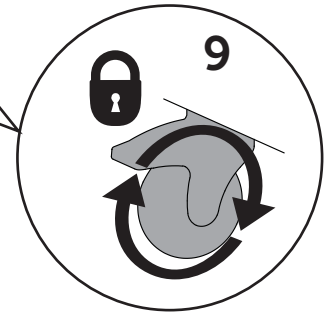
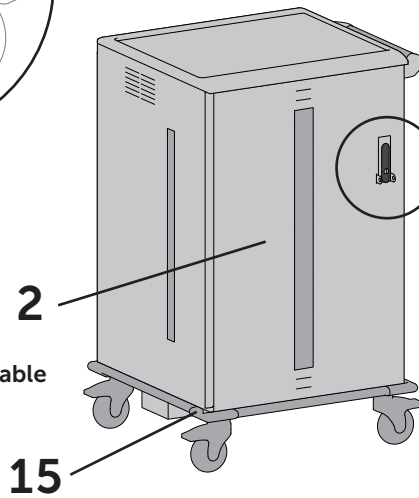
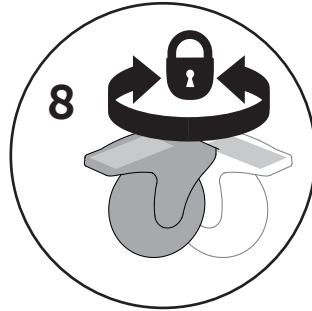
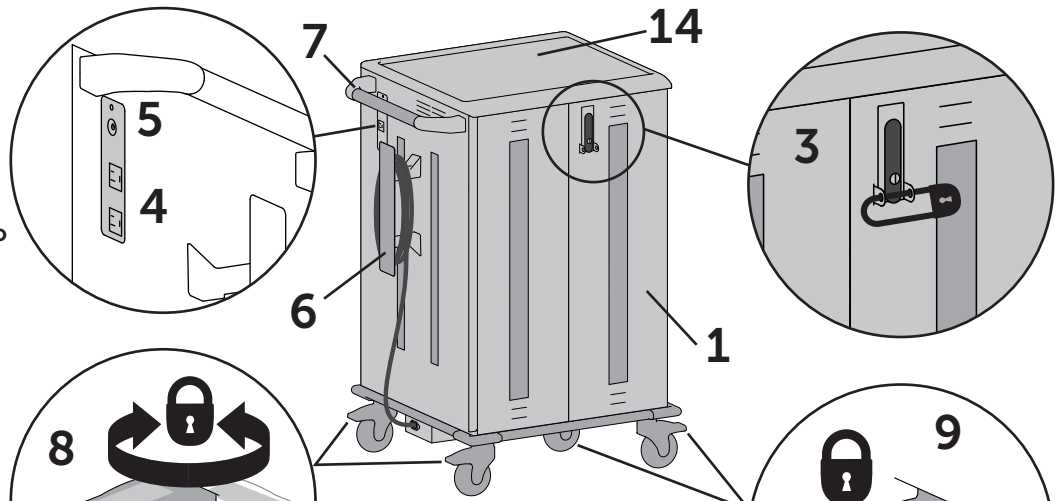
**13** Bandejas de almacenamiento de adaptador de alimentación

**14** Estante superior con labio de 0,6 cm (1/4 pulg.) de alto

**15** Topes en las esquinas

Lista de elementos suministrados:

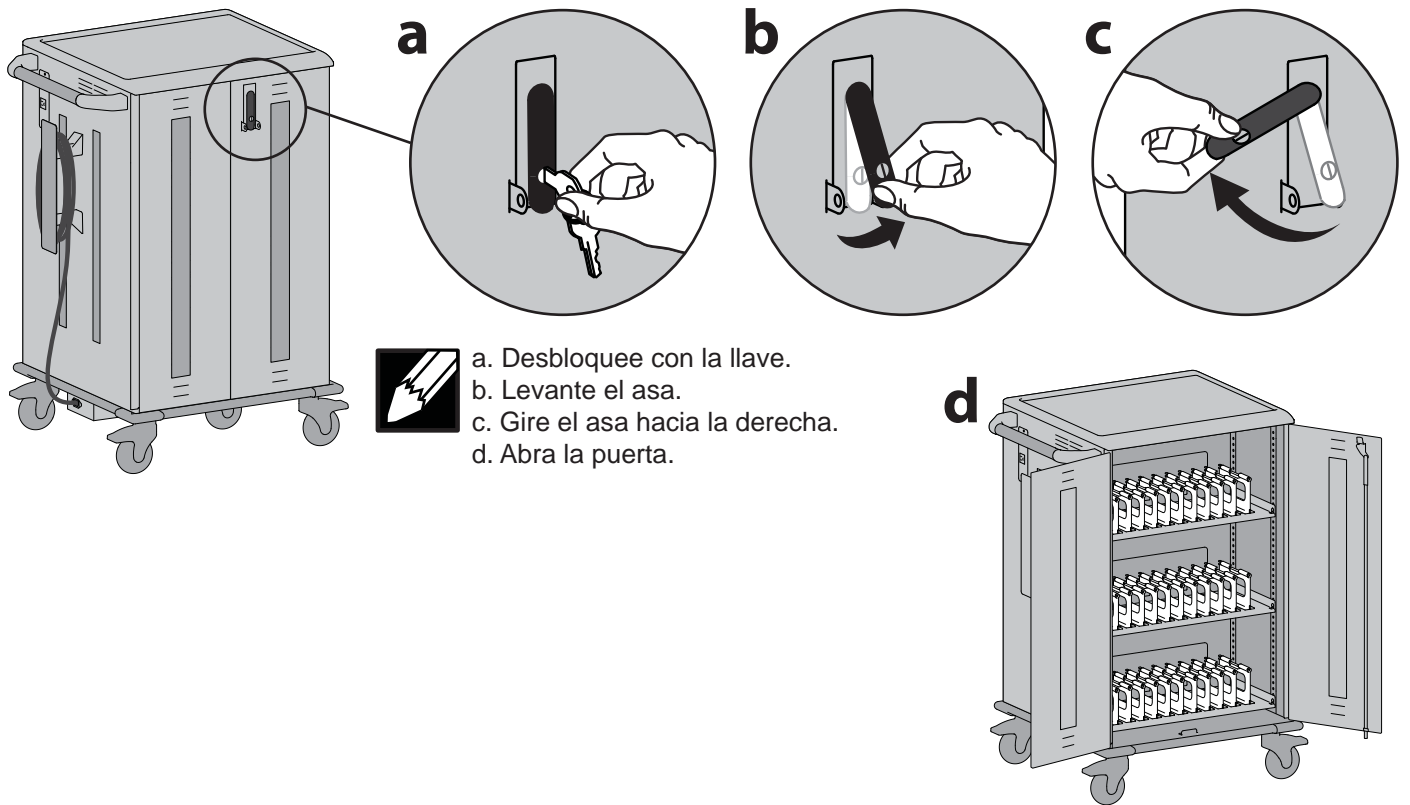
1x	 4mm
2x	
36x	
1x	 Etiquetas de la estantería (1-40)





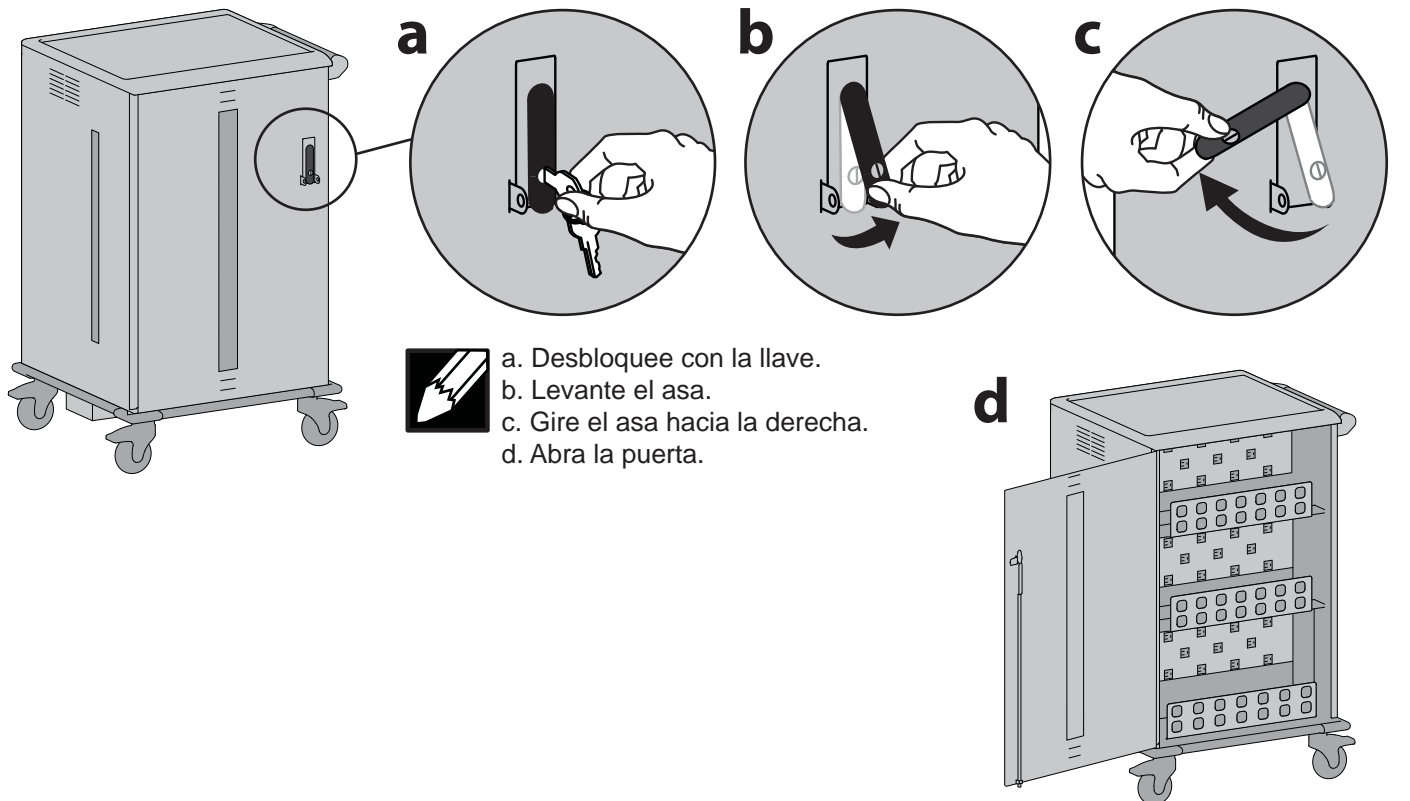
# Inicio y configuración

## 1 Desbloquee y abra las puertas frontales



ESPAÑOL

## 2 Abra la puerta trasera.

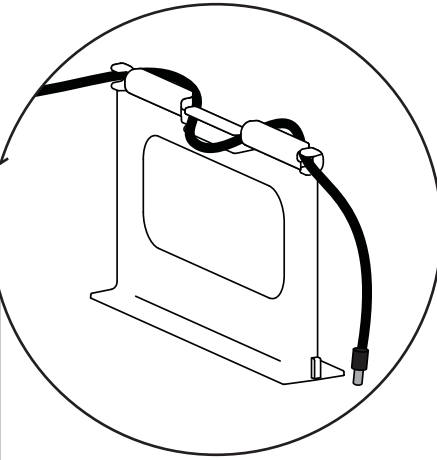
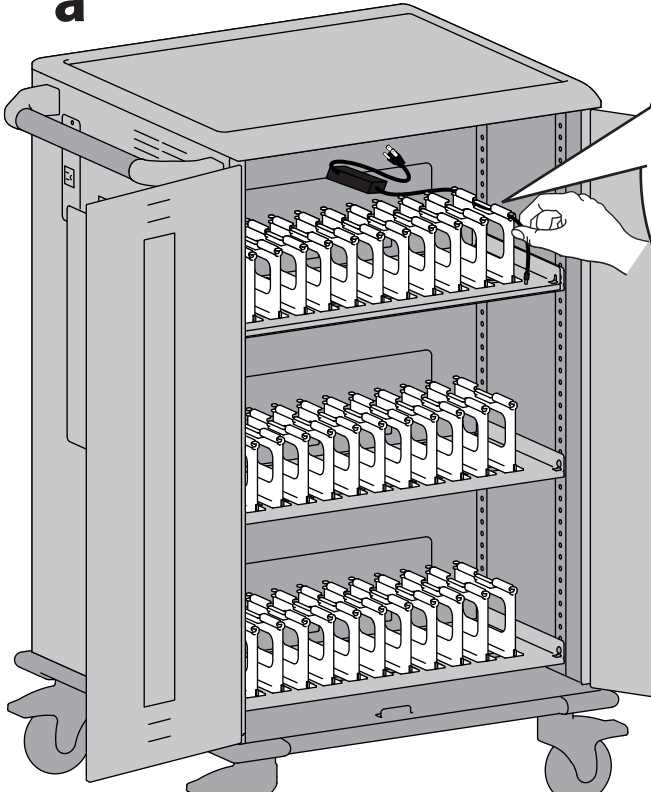


# Inicio y configuración

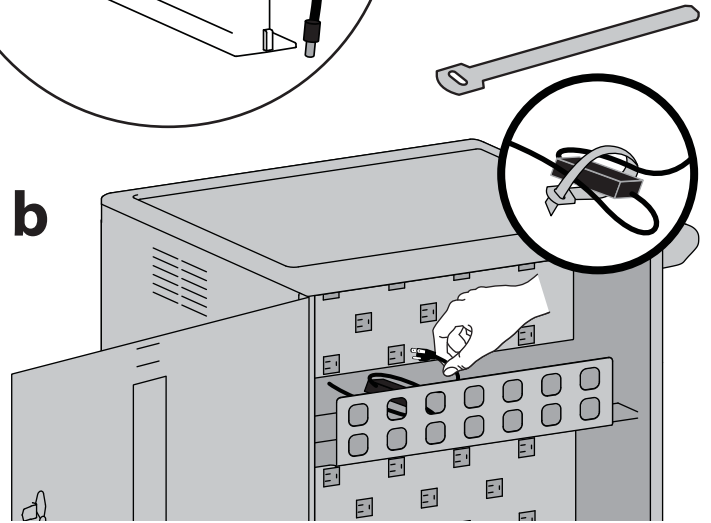
## 3

- a. Pase los cables del dispositivo por los divisores.
- b. Pase los adaptadores por el carro hacia la parte trasera del carro y enchúfeles en las tomas eléctricas.

### a



### b

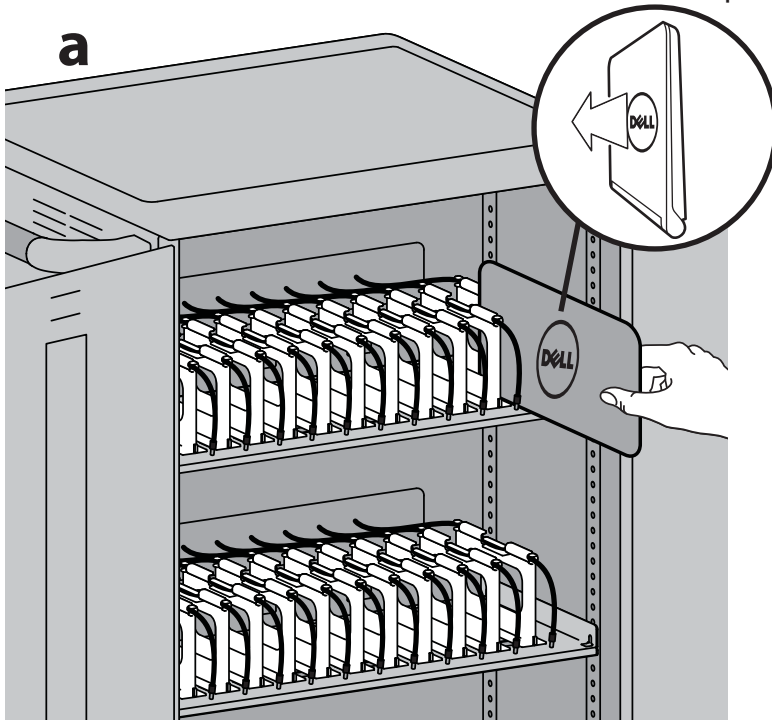


Guarde los adaptadores y los cables agrupados en los estantes para adaptadores.

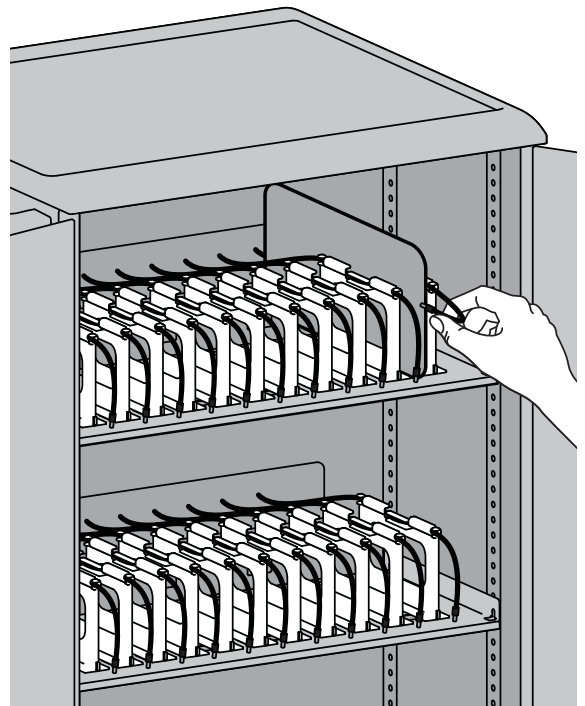
## 4

- a. Inserte el dispositivo en el divisor.
- b. Enchufe el cable de alimentación en el dispositivo.

### a

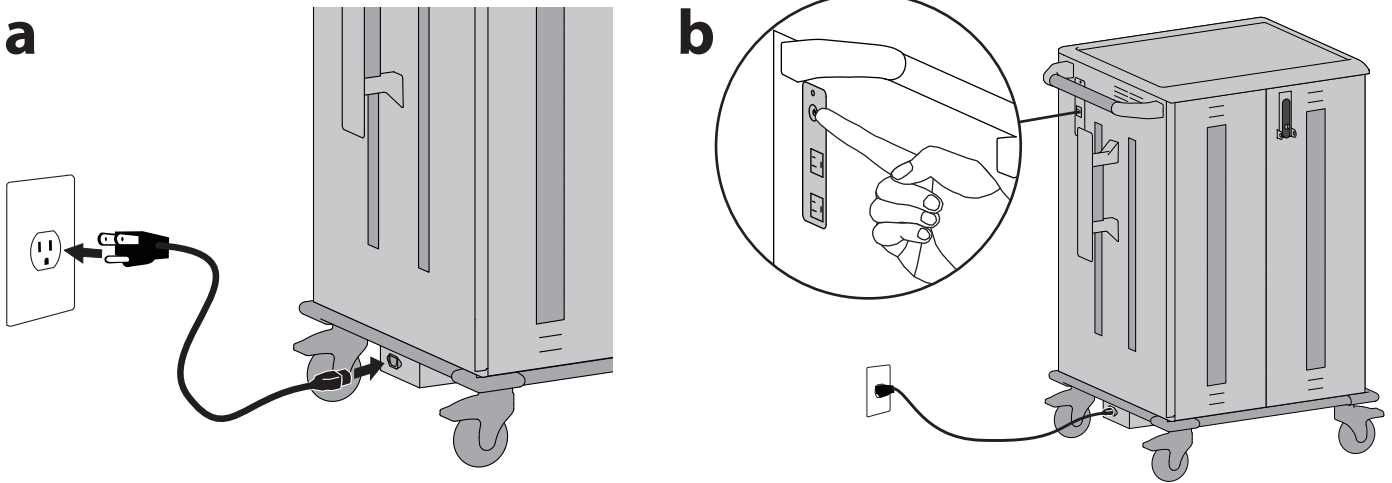


### b



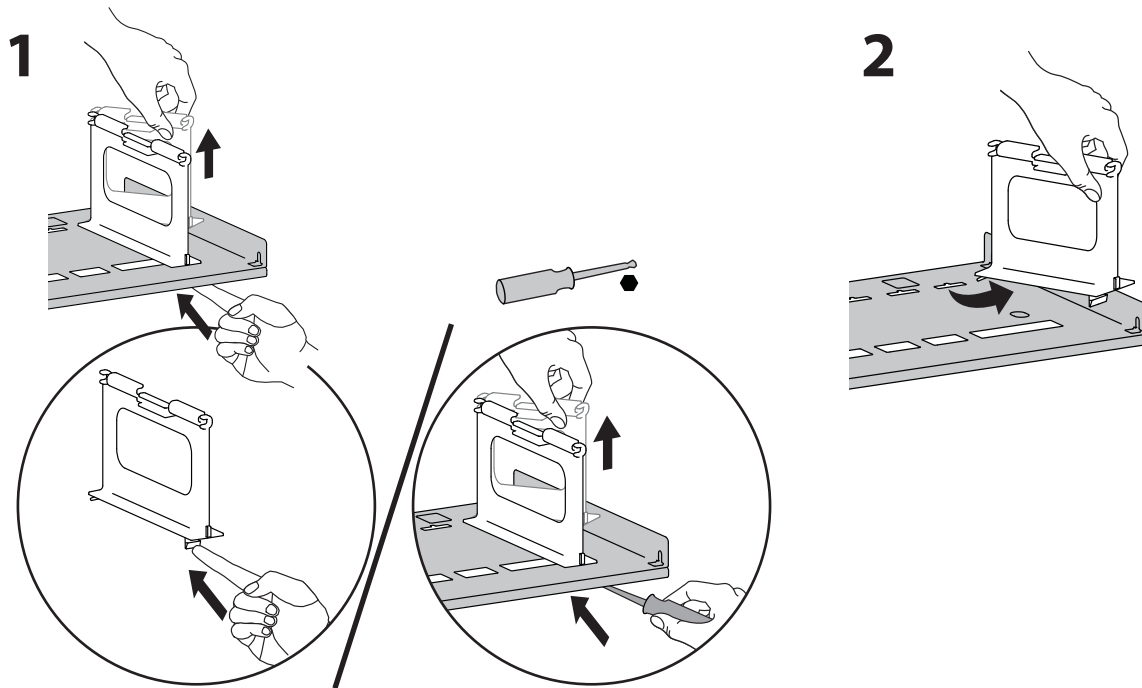
# Inicio y configuración

- 5** a. Enchufe el cable de alimentación en la base del carro y en la toma eléctrica de la pared.  
b. Pulse el botón de encendido para encender.

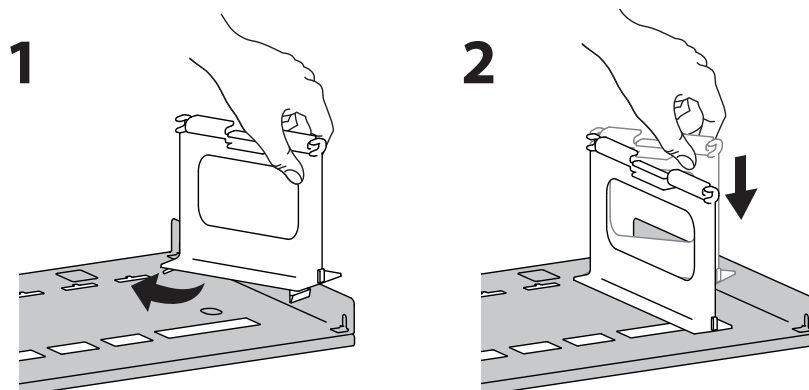


ESPAÑOL

## Cómo retirar los divisores

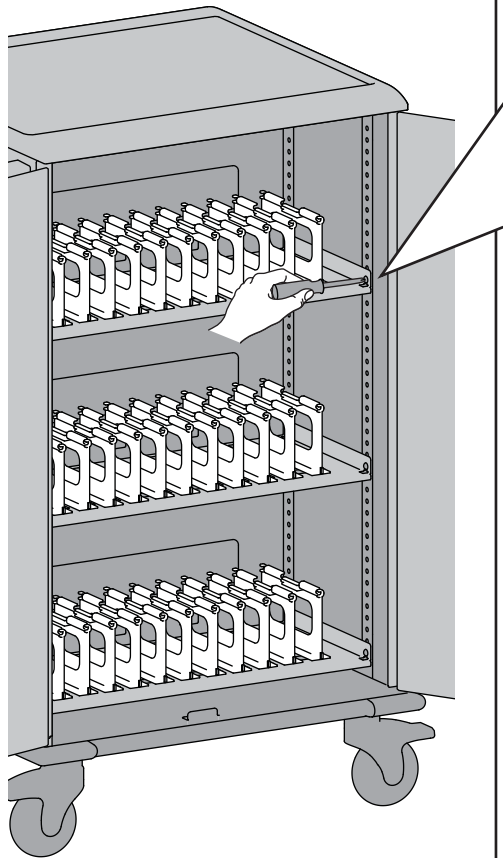
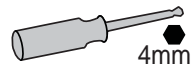


## Cómo reemplazar los divisores

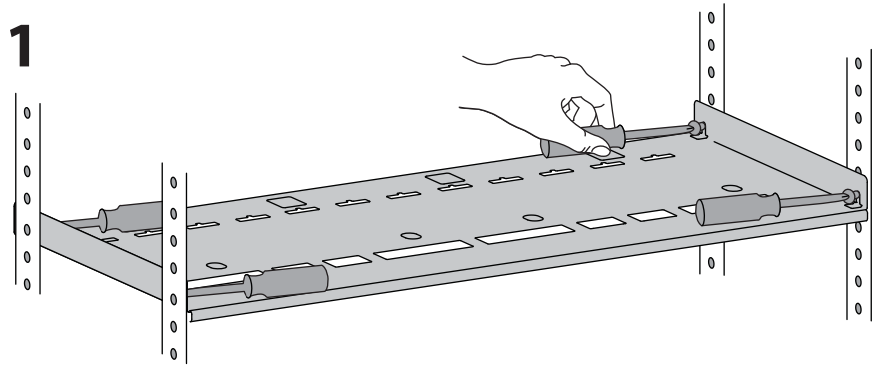


# Cómo ajustar la altura del estante

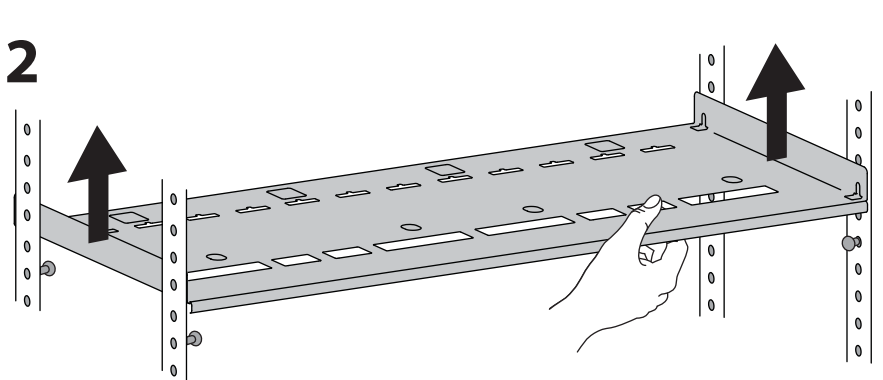
ESPAÑOL



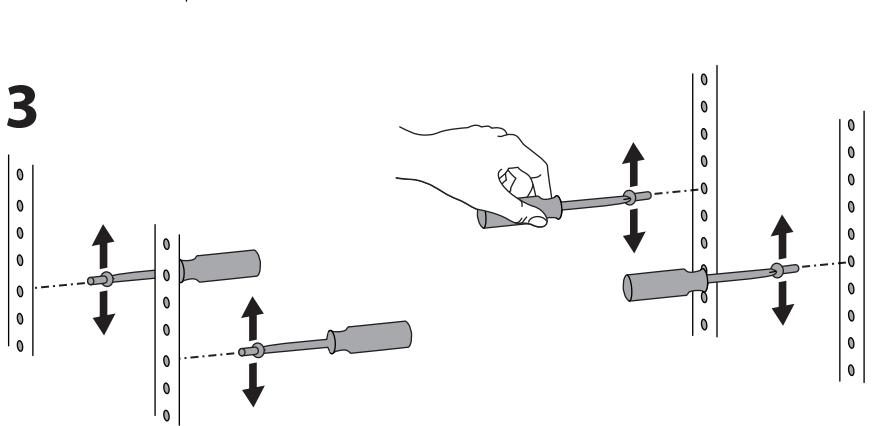
1



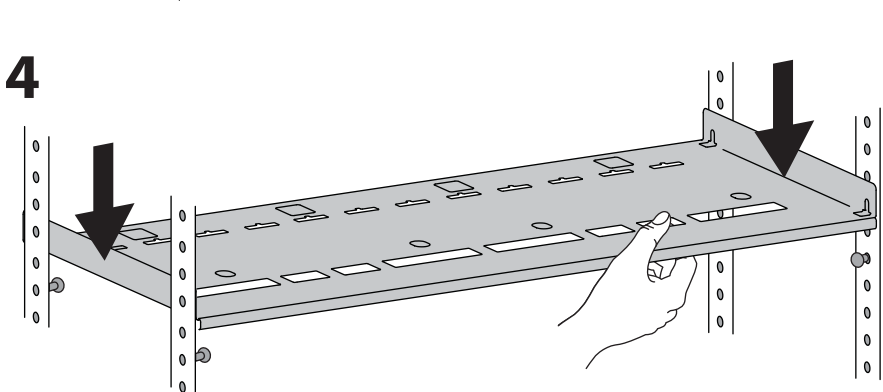
2



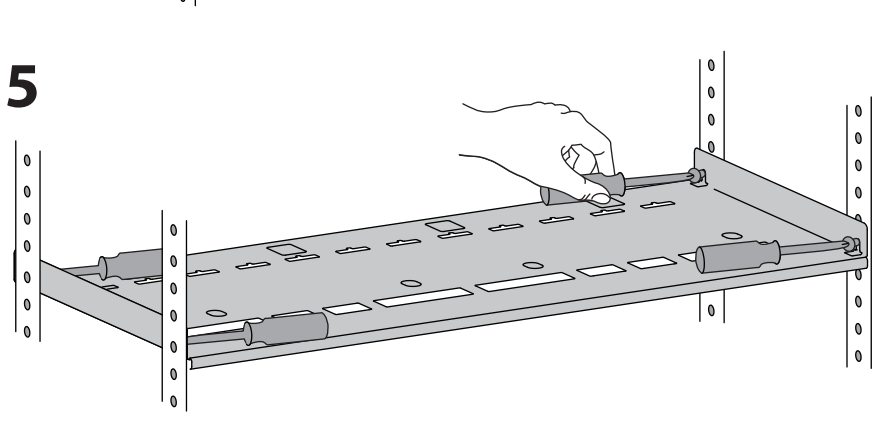
3



4



5

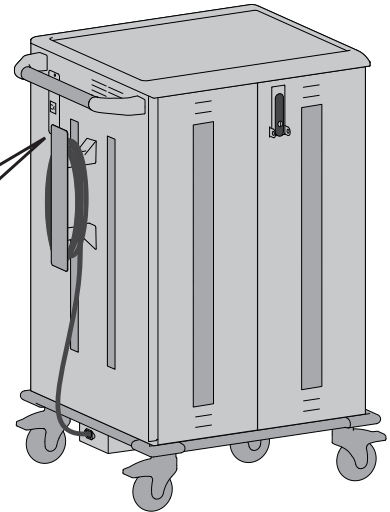


# Asistencia técnica y garantía

Para asistencia técnica, visite [www.ergotron.com/](http://www.ergotron.com/)  
Dell o [www.dell.com/support](http://www.dell.com/support)



**NOTA:** Cuando se ponga en contacto con el servicio de atención al cliente, mencione el número de serie ubicado encima del compartimiento de gestión de cables externo.



El número de serie es necesario para hacer uso de la garantía.

Made In China DP/N 032NMJ



Service Tag: ABC1234



## Especificaciones

### Sistema de alimentación

120V~, 12A 60Hz

### Dimensiones físicas

Altura: 106 cm (41,7 pulgadas)

Longitud: 73 cm (28,7 pulgadas)

Ancho: 64 cm (25 pulgadas)

Peso (sin dispositivos móviles) 80 kg (176 lb)

Capacidad de peso:

Superficie superior 11,3 kg (25 lb)

Estantes (superior, intermedia, inferior) c/u 27.2 kg (60 lb)

Estantes para adaptadores (c/u) 5,4 kg (12 lb)

Prueba y ángulo de volcado 10 grados

En general es compatible con la mayoría de los dispositivos con pantalla de 13" y algunos dispositivos con pantalla de 14".

### Medio ambiente

Rango de temperatura:

Funcionamiento = de 0° a 30°C (32° a 86°F)

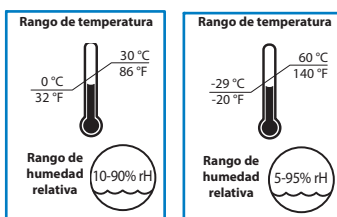
Almacenamiento = de -29° a 60°C (-20° a 140°F)

Humedad relativa (máxima):

Funcionamiento 10%–90% (sin condensación)

Almacenamiento 5%–95% (sin condensación)

Altitud (máxima): 2.000 m (6,562 pies)



Funcionamiento

Almacenamiento

Ambiente de funcionamiento en altura: Se debe considerar instalar el carro en un ambiente compatible con la temperatura ambiente máxima (T<sub>ma</sub>) de 30 grados C.

# Guía de solución de problemas

## El conmutador de encendido/apagado blanco está parpadeando. ¿Qué significa esto?

Hay una condición de sobrecorriente que no se puede resolver. Se ha quitado la alimentación a los dispositivos. Una condición de sobrecorriente puede significar que hay instalado un dispositivo defectuoso o posiblemente, hay algo enchufado en la toma eléctrica auxiliar externa que genera demasiada corriente. Para corregir, quite la fuente de la condición de sobrecorriente, luego desenchúfela de la pared y vuelva a enchufarla, o apague y encienda el conmutador de alimentación para reiniciar. Si no puede determinar qué dispositivo está causando la condición de sobrecorriente, desenchufe todos los dispositivos, encienda el carro y enchufe un dispositivo a la vez para determinar cuál es el que está causando la condición de sobrecorriente.

## Cuando enchufo la unidad, saltan los interruptores de circuito de mi edificio. ¡Ayuda!

Los carros están diseñados para funcionar en un circuito de 15 amperios. Si tiene otros aparatos enchufados en el mismo circuito, puede estar sobrecargándolo. Pida a un electricista calificado que verifique si hay suficiente energía disponible.





## ¿Cómo puedo facilitar la dirección del carro?

Este carro tiene dos ruedas de bloqueo direccionales para que sea más fácil dirigirlo. ¿Cómo? Las ruedas de bloqueo direccionales no giran de lado a lado; bloquean la dirección de las ruedas de modo que se muevan en línea recta. Presione las lengüetas azules de estas ruedas (ubicadas debajo del asa) cuando necesite mover el carro más de algunos centímetros. Si necesita maniobrar en espacios pequeños, suelte las lengüetas para que las ruedas giren de lado a lado.

## Alertas de seguridad del producto

### Revisión de los símbolos de peligro

Estos símbolos alertan a los usuarios sobre un tema de seguridad que requiere su atención. Todos los usuarios deben poder reconocer y comprender el significado de los siguientes riesgos de seguridad si los ve en el producto o en la documentación. Los niños que no puedan reconocer y responder de forma adecuada a las alertas de seguridad no deben utilizar este producto sin la supervisión de un adulto.

Símbolo	Símbolo	Nivel de riesgo
	<b>NOTA</b>	Una NOTA presenta información importante que le ayudará a utilizar mejor este producto.
	<b>PRECAUCIÓN</b>	La PRECAUCIÓN indica la probabilidad de dañar el hardware o de perder datos y le señala la forma de evitar el problema.
	<b>ADVERTENCIA</b>	Una ADVERTENCIA indica la probabilidad de daños materiales, lesiones personales o muerte.
	<b>ELÉCTRICO</b>	Eléctrico indica un peligro eléctrico inminente que, si no se evita, puede dar lugar a lesiones personales, incendios y/o la muerte.

# Seguridad eléctrica del equipo

Existen riesgos específicos asociados con el uso de equipos que incluyen cables de alimentación. Es necesario que conozca dichos riesgos y los evite cuando haya niños cerca del carro.



**ADVERTENCIA:** En caso de no observar los siguientes avisos de seguridad eléctrica, pueden producirse incendios o muertes por descargas eléctricas.



**Eléctrico:** Los cables eléctricos pueden ser peligrosos. Un uso no adecuado puede causar incendios o muertes por descarga eléctrica.

- Inspeccione detenidamente los cables de alimentación antes de cada uso.
- No utilice cables que estén dañados.
- Inserte el enchufe completamente en la toma.
- Agarre el enchufe para retirarlo de la toma.
- No lo desenchufe tirando del cable.
- No utilice una fuerza excesiva para hacer las conexiones.
- Utilice solamente adaptadores de alimentación Dell con los sistemas Dell de este carro.
- No enchufe el cable a un cable alargador.
- No retire, doble o modifique ninguna punta o pasador de metal del cable.
- No desplace, arrastre ni coloque objetos encima del cable.
- No pise el cable.
- Evite sobrecalentamientos. Desenrolle el cable y no lo cubra con ningún material.
- No extienda cables a través de puertas, agujeros en techos o paredes ni suelos.



**Eléctrico: Mantenga el carro alejado del agua.**

- No lo utilice si está mojado.
- No coloque el carro cerca de líquidos o gases inflamables.



**PRECAUCIÓN:** En la parte superior del carro no se deben usar televisores/monitores.



**PRECAUCIÓN:** ¡Cumpla todas las precauciones de seguridad relacionadas con el funcionamiento y mantenimiento que se incluyen en esta guía de referencia! En caso de no respetar las precauciones de seguridad, podrían producirse lesiones físicas o daños en el equipo.



**PRECAUCIÓN:** Este equipo no tiene conmutador de apagado/encendido, el cable de alimentación de CA es la única desconexión de la electricidad. Por lo tanto, el enchufe deberá tener fácil acceso y deberá instalarse cerca del equipo.



**ADVERTENCIA:** Puede provocarse la muerte o lesiones graves si los niños trepan por el mueble del equipo de audio o video. Si coloca un mando a distancia o juguetes encima de estos muebles, puede alentar a un niño a subirse al mueble y como consecuencia, puede volcarse sobre el niño.



**ADVERTENCIA:** Colocar equipo de audio o video en muebles que no estén específicamente diseñados para sostenerlo puede tener como resultado la muerte o lesiones graves debido a que el mueble puede desplomarse o volcarse sobre un niño.

 **¡PELIGRO!**  
**Riesgo de descarga eléctrica**

¡PELIGRO! Los cables eléctricos pueden ser peligrosos. Un uso no adecuado puede causar incendios o muertes por descarga eléctrica.



# Limpieza y mantenimiento



**ADVERTENCIA:** El incumplimiento de los siguientes avisos de seguridad puede causar graves lesiones físicas o daños del equipo.

Examine el equipo en busca de daños, polvo y suciedad de manera regular. Todos los componentes pintados y de plástico del carro aceptan la limpieza con las soluciones de uso más común, diluidas y sin abrasivos, como los compuestos de amoníaco cuaternario, los limpiadores enzimáticos de amoníaco, los blanqueadores o las soluciones alcohólicas. Recomendamos probar cualquier solución limpiadora en un área pequeña y oculta para asegurar que la superficie del carro no se dañe.

- Las marcas de rotuladores permanentes o de borrado en seco y bolígrafos pueden quitarse con alcohol isopropílico al 91% y un paño suave.
- Las manchas de yodo pueden quitarse con los limpiadores de uso común y un paño suave.
- No use estropajo de acero u otros materiales abrasivos pues estropearán el acabado superficial.



**Eléctrico:** Para evitar el riesgo de descargas, no exponga los componentes eléctricos al agua, soluciones limpiadoras u otros líquidos o sustancias potencialmente corrosivos.



**Eléctrico:** No sumerja el carro ni sus componentes en líquidos, ni permita que estos penetren en él. Quite inmediatamente con un paño húmedo todos los limpiadores de la superficie. Seque completamente la superficie después de su limpieza.



**Eléctrico:** No emplee limpiadores inflamables en las superficies del carro



**PRECAUCIÓN:** Ajuste, mantenimiento y sustituciones: NO intente ajustar, realizar mantenimiento ni reemplazar ninguna pieza del carro salvo que reciba instrucciones de hacerlo mediante documentos aprobados por Ergotron (por ej.: instrucciones de instalación). Sólo Ergotron, Inc. o una empresa certificada por Ergotron pueden ajustar, realizar mantenimiento o reemplazar componentes del carro. Si le falta cualquier componente del carro, o hay alguno dañado, el carro no debe utilizarse. Póngase en contacto con Ergotron inmediatamente para solicitar una pieza de repuesto.



**PRECAUCIÓN:** Casters - Ruedas de bloqueo: Revise las ruedas periódicamente para asegurarse de que estén limpias y libres de suciedad que podría impedir un recorrido uniforme. Evite mover el carro por superficies desiguales, sucias o dañadas.



**PRECAUCIÓN:** Equipo del cliente: Asegúrese de que esté en equilibrio e instalado firmemente en el carro. Póngase en contacto con Ergotron para obtener información acerca del movimiento de los componentes del carro.



**PRECAUCIÓN:** Los cambios o modificaciones no aprobados expresamente por Ergotron podrían anular la autoridad del usuario para utilizar el equipo.



# Recomendaciones para un uso seguro

Existen riesgos específicos asociados al uso del carrito, tanto en movimiento como estacionario (para cargar tabletas o para guardarlo). Es necesario que conozca dichos riesgos y los evite cuando haya niños cerca del carro.

 **ADVERTENCIA:** El incumplimiento de los siguientes avisos de seguridad de uso del carro puede causar lesiones físicas graves y daños del equipo.

## Solamente los adultos pueden mover el carro.

- No permita que nadie se siente o se suba encima del carrito.
- No eleve el carro desde su parte inferior.
- No bloquee las rejillas de ventilación. Para prevenir sobrecalentamientos, deje un espacio libre de como mínimo 127 mm (5 pulgadas) alrededor de las rejillas.

## El carro está diseñado para uso exclusivo en interiores.

- No utilice el carro para guardar líquidos ni productos de limpieza.
- No coloque objetos pesados en la superficie ni en el estante del carro.
  - La superficie de trabajo soporta un peso máximo de 11,4 kg (25 lb).
  - La capacidad de peso máxima de cada estante para dispositivos es de 27,2 kg (60 lb).
  - La capacidad de peso máxima de cada estante para adaptadores es de 5,4 kg (12 lb).

## Traslado del carro

- Antes de trasladar el carro:
  1. Desconecte el cable de alimentación de la pared.
  2. Compruebe que el cable está recogido y fijado.
  3. Cierre y bloquee las puertas.
  4. Retire los elementos que haya en la superficie de trabajo.
  5. Desbloquee las ruedas de bloqueo giratorias frontales.
- Empuje el carro (no tire de él) para facilitar la maniobrabilidad y prevenir lesiones musculares.
- No traslade el carro por superficies en mal estado, desiguales o irregulares, como por ejemplo gravilla.

## Estacionar el carro

Siga estas alertas de seguridad cuando el carro esté estacionado:

- No estacione el carro en zonas de tránsito intenso.
- No extienda cables a través de puertas, agujeros en techos o paredes ni suelos.
- No extienda cables en pasillos, aulas u otras zonas donde haya transeúntes.
- No deje el carro desatendido en zonas a las que tengan acceso los niños.
- Mantenga las puertas del carro cerradas y bloqueadas cuando esté desatendido o estacionado para cargar portátiles o en almacenamiento.
- Mantenga bloqueadas las ruedas de bloqueo giratorias frontales cuando el carro esté desatendido.



# Información de seguridad, medio ambiente y normativa

## Waste Electrical and Electronic Equipment (WEEE) Directive

This label indicates that this product should not be disposed of with household waste. It should be deposited at an appropriate facility to enable recovery and recycling. For information on how to recycle this product in your country, please visit: [Dell.com/recycle](http://Dell.com/recycle).

## 废弃电气电子设备 (WEEE) 指令

此标签表明该产品不得与生活垃圾一同处理。它应置于适当的设施中以便能够回收和循环利用。有关在贵国和地区如何回收本产品的信息，请访问 [Dell.com/recycle](http://Dell.com/recycle)。

## Директива за изхвърляне на електрическо и електронно оборудване (WEEE)

Този етикет означава, че този продукт не бива да се изхвърля заедно с домашните отпадъци. Той трябва да бъде изхвърлен на подходящо място, за да се позволи възстановяването или рециклирането му. За информация относно отговорността за рециклиране на този продукт във вашата страна, молимо посетете: [Dell.com/recycle](http://Dell.com/recycle).

## Směrnice WEEE (Waste Electrical and Electronic Equipment)

Tento štítek označuje, že tento produkt nesmí být likvidován s domovním odpadem. Musí být předán specializované sběrně pro recyklaci a další využití. Pokyny o recyklaci tohoto produktu ve vaší zemi viz: [Dell.com/recycle](http://Dell.com/recycle).

## Direktiv for bortskaffelse af elektrisk og elektronisk udstyr (WEEE)

Denne etiket indikerer, at dette produkt ikke bør kasseres sammen med husholdningsaffald. Det bør bortskaffes ved en egnet facilitet for at muliggøre genbrug. For information om hvordan dette produkt genbruges i dit land, bedes du gå til: [Dell.com/recycle](http://Dell.com/recycle).

## Richtlijn WEEE, Waste Electrical and Electronic Equipment (afdanken van elektrische en elektronische apparaten)

Dit label geeft aan dat dit product niet via huishoudelijk afval mag worden afgedankt. Het moet gedeponerd worden bij een daarvoor geschikte voorziening zodat herstel en recycling mogelijk zijn. Raadpleeg voor meer informatie over verantwoorde recycling van dit product in uw land de website: [Dell.com/recycle](http://Dell.com/recycle).

## Elektriliste ja elektrooniliste seadmete kasutusjärgne töötlemine (direktiiv WEEE)

Selline silt tähistab toodet, mida ei tohi pärast kasutust olmejäätmete hulka visata. Tootle toode tuleb viia jäätmekäitlustesetitesse, kus seda nõuetekohaselt töödeldakse. Tootte käitlemise kohta oma kodumaal leiate teavet aadressil [Dell.com/recycle](http://Dell.com/recycle).

## Direktiivi sähkö- ja elektroniikkalaiteromusta (WEEE)

Tämä tarra tarkoittaa, että tuotetta ei tule hävittää kotitalousjätteen joukossa. Se tulee toimittaa asianmukaiseen paikkaan uudelleenkäyttöä tai kierrätystä varten. Tietoja tämän tuotteen kierrättämisestä eri maissa saat seuraavasta osoitteesta: [Dell.com/recycle](http://Dell.com/recycle).

## Directive sur la mise au rebut des appareils électriques et électroniques (Waste Electrical and Electronic Equipment - WEEE)

Cette étiquette indique que ce produit ne doit pas être jeté avec les déchets ménagers. Il doit être mis au rebut dans un centre de dépôt spécialisé pour un recyclage approprié. Pour obtenir davantage d'informations sur le recyclage approprié de ce produit dans votre pays, veuillez vous rendre sur le site : [Dell.com/recycle](http://Dell.com/recycle).

## Richtlinie für Abfall von elektrischen und elektronischen Geräten (WEEE)

Dieses Etikett weist darauf hin, dass dieses Produkt nicht mit dem Hausmüll entsorgt werden sollte. Es sollte an einer entsprechenden Einrichtung abgegeben werden, um Wiedergewinnung und Recycling zu ermöglichen. Weitere Informationen über das Recyceln dieses Produkts erhalten Sie unter: [Dell.com/recycle](http://Dell.com/recycle).

## Οδηγία σχετικά με τα απόβλητα ειδών ηλεκτρικού και ηλεκτρονικού εξοπλισμού (AHHE)

Αυτή η ετικέτα υποδεικνύει ότι το συγκεκριμένο προϊόν δεν πρέπει να απορριπτεται μαζί με τα οικιακά απορρίμματα. Θα πρέπει να αποκομίζεται σε κατάλληλο χώρο ώστε να είναι δυνατή η ανάκτηση και η ανακύκλωση. Για πληροφορίες σχετικά με την ανακύκλωση αυτού του προϊόντος στη χώρα σας, επισκεφθείτε τη διεύθυνση: [Dell.com/recycle](http://Dell.com/recycle).

## Waste Electrical and Electronic Equipment (WEEE), azaz az elektronos és elektronikus berendezések hulladékaira vonatkozó irányelv

Az ilyen címkével jelölt terméket tilos háztartási hulladékként kezelni. Az ilyen hulladékok a helyreállítathóság és az újrahasznosíthatóság érdekében a megfelelő elfogadóhelyre kell szállítani. A termék saját országán belül érvényes újrahasznosításával kapcsolatban információt a következő weboldalon talál: [Dell.com/recycle](http://Dell.com/recycle).

## Direttiva Rifiuti di apparecchiature elettriche ed elettroniche (RAEE)

Questa etichetta indica che il prodotto non deve essere smaltito insieme ai rifiuti domestici. Deve essere depositato in un impianto adeguato che sia in grado di eseguire operazioni di recupero e riciclaggio. Per informazioni sulle procedure di riciclaggio di questo prodotto nel proprio Paese, visitare: [Dell.com/recycle](http://Dell.com/recycle).

## Direktiva par elektriskajiem un elektroniskajiem atkritumiem

Šis apzīmējums norāda, ka produktu nedrīkst izmett kopā ar sadzīves atkritumiem. Tas ir jānodod atbilstošā savākšanas punktā, lai pareizi atjaunotu vai pārstrādātu. Informāciju par šī produkta pārstrādes iespējām jūsu valstī skatiet: [Dell.com/recycle](http://Dell.com/recycle).

## Direktiva dėl elektros ir elektroninės įrangos atliekų (Waste Electrical and Electronic Equipment, WEEE)

Šis ženklas rodo, kad šio gaminio negalima išmesti kartu su buitiniems atliekomis. Nebenaudojamą gaminį reikia atiduoti į tam skirtą punktą atnaujinti arba perdirbti. Informacijos apie tinkamą šio gaminio perdirbimą jūsų šalyje rasite interneto svetainėje: [Dell.com/recycle](http://Dell.com/recycle).

## Direttiva dwar Skart maghmul minn Taghmir Elettroniku u Elettriku (Waste Electrical and Electronic Equipment - WEEE)

Din it-tikketta tindika li dan il-prodott m'għandux jintrema ma' l-iskart domestiku. Għandu jintrema f'facilità adattata fejn ikun jista' jiġi rkuprat u riciklat. Għal aktar tagħrif dwar kif għandek tirricikla dan il-prodott fil-pajjiż tiegħek, jekk jogħġbok zur: [Dell.com/recycle](http://Dell.com/recycle).

## Direktivet for kassert elektrisk og elektronisk utstyr (WEEE)

Dette merket angir at produktet ikke skal kastes sammen med husholdningsaffald. Det skal leveres til et mottak for spesialavfall for gjenvinning og resirkulering. For informasjon om hvordan du resirkulerer dette produktet i ditt land, vennligst besøk: [Dell.com/recycle](http://Dell.com/recycle).

## Dyrektiva dotyczące odpadów urządzeń elektrycznych i elektronicznych (WEEE)

Etykieta ta oznacza, że tego produktu nie należy wyrzucać razem z odpadami z gospodarstwa domowego. Należy go przekażać do odpowiedniego zakładu, gdzie zostanie poddany odzyskowi i recyklingowi. Informacje o sposobie recyklingu tego produktu w poszczególnych krajach można znaleźć pod adresem: [Dell.com/recycle](http://Dell.com/recycle).

## Directiva WEEE (Waste Electrical and Electronic Equipment)

Esta etiqueta indica que esse produto não deve ser eliminado juntamente com o lixo normal. Deve ser depositado numa instalação apropriada para recolha e reciclagem. Para obter informações sobre como reciclar este produto de forma responsável no seu país, visite: [Dell.com/recycle](http://Dell.com/recycle).

## Directiva privind deeurile provenite din echipamentele electrice și electronice (WEEE)

Acesta etichetă indică faptul că acest produs nu trebuie aruncat laolaltă cu gunoii menajeri. El trebuie depozitat într-un loc special amenajat pentru a permite recuperarea și reciclarea. Pentru informații privitoare la reciclarea în mod responsabil a acestui produs în țara dvs., [Dell.com/recycle](http://Dell.com/recycle).

## Директива об утилизации электрического и электронного оборудования (WEEE)

Эта маркировка означает, что данный продукт не следует утилизировать вместе с бытовым мусором. Продукт следует утилизировать на специализированном предприятии, чтобы в дальнейшем его можно было переработать. Информацию о правилах утилизации изделий в вашей стране можно получить на веб-узле: [Dell.com/recycle](http://Dell.com/recycle).

## Smernica o odpadoch z elektrických a elektronických zariadení (WEEE)

Tento štítek znamená, že sa výrobok nesmie likvidovať ako komunálny odpad. Musí sa odovzdať na príslušnom mieste na obnovu alebo recykláciu. Informácie o správnej recyklácii tohto produktu vo vašej krajine nájdete na stránke: [Dell.com/recycle](http://Dell.com/recycle).

## Direktiva o odlaganju električne in elektronske opreme (WEEE)

Ta znak označuje, da izdelek ni primeren za odlaganje skupaj z običajnimi gospodinjškimi odpadki. Odložiti ga je treba na ustreznem mestu za odlaganje in reciklažo. Za informacije o reciklaži tega izdelka v vaši državi obiščite: [Dell.com/recycle](http://Dell.com/recycle).

## Residuos de Aparatos Eléctricos y Electrónicos (RAEE)

Esta etiqueta indica que la eliminación de este producto no se puede hacer junto con el deshecho doméstico. Se debe depositar en una instalación apropiada que facilite la recuperación y el reciclado. Para obtener más información sobre cómo reciclar este producto en su país, visite el sitio web: [Dell.com/recycle](http://Dell.com/recycle).

## Direktiv for kassering av elektrisk och elektronisk utrustning (WEEE - Waste Electrical and Electronic Equipment)

Den här etiketten betyder att produkten inte får slängas i hushållsaffallet. Den ska lämnas in på en återvinningsstation. Information om hur produkten återvinns i ditt land finns på adressen [Dell.com/recycle](http://Dell.com/recycle). Inom EU betyder den här etiketten att produkten inte får slängas i hushållsaffallet. Den ska lämnas in på en återvinningsstation. Information om hur produkten återvinns i ditt land finns på adressen [Dell.com/recycle](http://Dell.com/recycle).

## Waste Electrical and Electronic Equipment (WEEE) Yönergeleri

Bu etiket, ürünün ev elektroniği aletleri atıklar ile imha edilme sürecini gösterir. Kurtarmak ve geri dönüşümünü sağlamak için uygun şartlarda saklanması gerekir. Bu ürünün geri dönüşümünün nasıl sağlanacağı konusunda bilgi için lütfen şu adresi ziyaret edin: [Dell.com/recycle](http://Dell.com/recycle). EEE Yönetmeliğine Uygundur. Ev Elektrik Eşyalarıda Bazı Zararlı Maddelerin Kullanımının Sınırlanmasında Dair Yönetmelik

ESPAÑOL

# Información de seguridad, medio ambiente y normativa

## Declaración de cumplimiento con las normas de la FCC

Este carro ha sido sometido a pruebas y cumple los límites para dispositivos digitales Clase A, conforme a la sección 15 de las normas FCC. Estos límites están diseñados para proporcionar una protección razonable contra interferencias dañinas cuando se trabaja con el aparato en entornos comerciales. Este equipo genera, usa y puede irradiar energía de radiofrecuencia y, de no ser instalado y usado de acuerdo con las instrucciones, puede provocar interferencias dañinas a las comunicaciones por radio. El funcionamiento de este equipo en una zona residencial puede provocar interferencias, en cuyo caso el usuario deberá corregirlas por su cuenta.

El funcionamiento de este equipo queda sujeto a las dos condiciones siguientes: (1) este dispositivo no puede provocar interferencias dañinas, y (2) este dispositivo debe aceptar cualquier interferencia que reciba, incluidas las interferencias que causen un funcionamiento no deseado.

Advertencia de la FCC: Los cambios o modificaciones no aprobados expresamente por Ergotron podrían anular la autoridad del usuario para utilizar el equipo.

Este aparato digital de Clase A cumple la norma canadiense CAN ICES-3(A)/NMB-3(A). / Cet appareil numérique de la classe A est conforme à la norme CAN ICES-3(A)/NMB-3(A) du Canada.

ESPAÑOL

## Registration, Evaluation, Authorization of Chemicals (REACH)

REACH is the European Union (EU) chemical substances regulatory framework. Information on substances of very high concern contained in Dell products in a concentration above 0.1% weight by weight (w/w) can be found at [Dell.com/REACH](http://Dell.com/REACH)

## Enregistrement, évaluation, autorisation des produits chimiques (REACH)

REACH est le programme de réglementation des produits chimiques dans l'Union européenne (UE). Vous trouverez des informations sur les substances très préoccupantes que contiennent les produits Dell en concentration supérieure à 0,1% en poids (m/m) sur [Dell.com/REACH](http://Dell.com/REACH)

## Registro, evaluación y autorización de productos químicos (Registration, Evaluation, Authorization of Chemicals - REACH)

REACH es el organismo de regulación de sustancias químicas de la Unión Europea (UE). La información sobre sustancias de alto riesgo contenidas en productos Dell en una concentración superior al 0,1% peso por peso (p/p) se puede encontrar en [Dell.com/REACH](http://Dell.com/REACH)

## Registration, Evaluation, Authorization of Chemicals (REACH)

REACH is het regelgevingskader van de Europese Unie (EU) op het gebied van chemische stoffen. Informatie over zeer gevaarlijke stoffen in Dell-producten in een concentratie van boven de 0,1% gewicht per gewicht (w/w) is te vinden op [Dell.com/REACH](http://Dell.com/REACH)

## REACH (Registration, Evaluation, Authorization of Chemicals - Registo, avaliação e autorização de substâncias químicas)

O REACH é o sistema regulador de substâncias químicas da União Europeia (UE). As informações sobre substâncias que são motivo de grande preocupação existentes nos produtos Dell numa concentração acima de 0,1% peso por peso (p/p) podem ser encontradas em [Dell.com/REACH](http://Dell.com/REACH)

## Registrierung, Beurteilung und Zulassung von Chemikalien (REACH, Registration, Evaluation, Authorization of Chemicals)

Die EU-Richtlinie REACH ist das Regelwerk der Europäischen Union für chemische Substanzen. Informationen zu bedenklichen Substanzen, die in Dell-Produkten in einer Konzentration von mehr als 0,1 Gewichtsprozent (w/w, Weight by Weight) enthalten sind, finden Sie unter [Dell.com/REACH](http://Dell.com/REACH)



## Garantía:

5 años para componentes y funciones mecánicos,  
3 años para componentes y funciones eléctricos  
y 1 año para cables. Todos los componentes  
externos seguirán la garantía conforme lo defina el  
fabricante.

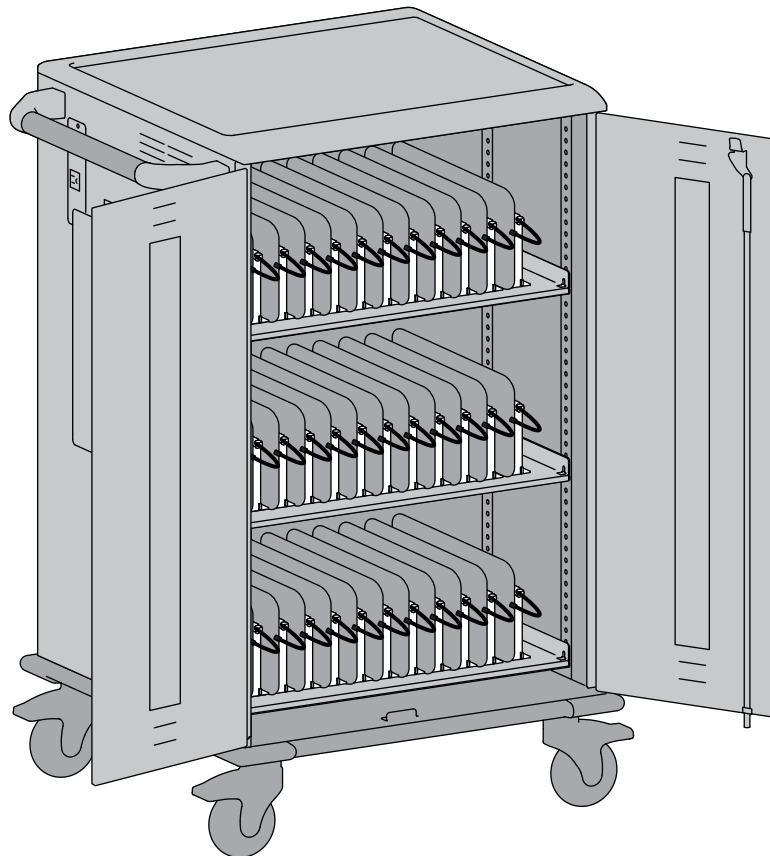
SOLUCIÓN PERSONALIZADA DE ERGOTRON PARA DELL  
Para mantenimiento, visite [www.ergotron.com/Dell](http://www.ergotron.com/Dell)  
o [www.dell.com/support](http://www.dell.com/support)

## ERGOTRON®

Aunque Ergotron, Inc. realiza todos los esfuerzos posibles para ofrecer información precisa y completa sobre la instalación y uso de sus productos, no podrá imputársele responsabilidad alguna por ningún error editorial u omisión (incluyendo los que ocurren durante el proceso de traducción del inglés a otro idioma), ni por ningún daño incidental, especial o emergente, de cualquier naturaleza, que resulte del suministro de estas instrucciones y del funcionamiento del equipo en correspondencia con ellas. Ergotron, Inc. se reserva el derecho de hacer cambios en el diseño del producto y/o su documentación sin aviso a sus usuarios. Para obtener la información más actualizada del producto, o para saber si este documento está disponible en otros idiomas diferentes de éste, por favor contacte con el Servicio de Atención al Cliente de Ergotron. Ninguna porción de esta publicación puede reproducirse, almacenarse en un sistema de recuperación, ni transmitirse de ninguna forma ni ningún medio, ya sea electrónico, mecánico, por fotocopia, grabación o de otra manera sin consentimiento previo y por escrito de Ergotron, Inc., 1181 Trap Road, Eagan, Minnesota, 55121, EE.UU. Patentes en trámite y Patentada en EE.UU. y el extranjero. Ergotron es una marca comercial registrada de Ergotron, Inc.

© 2016 Ergotron, Inc. All rights reserved.





## Dell Compact Charging Cart - 36 Devices

Le chariot de chargement compact de Dell - transporte, sécurise et recharge 36 ordinateurs portables, Chromebooks, Ultrabooks ou tablettes. Conçu pour un usage en institution.

Le Modèle:  
ERGITD-013



0JY3D8A00

Pour l'entretien, visitez [www.ergotron.com/](http://www.ergotron.com/)  
Dell ou [www.dell.com/support](http://www.dell.com/support)

# Caractéristiques et spécifications

1 Portes avant verrouillables

2 Porte arrière verrouillable

3 Portes avant et arrière verrouillables, loquet avec support pour cadenas

4 Deux prises de courant externes

5 Interrupteur avec témoin lumineux

6 Enrouleur de cordon d'alimentation avec cordon d'alimentation amovible

7 Poignée ergonomique

8 Deux roulettes verrouillantes directionnelles (languette bleue)

9 Deux roulettes verrouillantes

10 Séparateurs amovibles pour appareils avec passage de câble

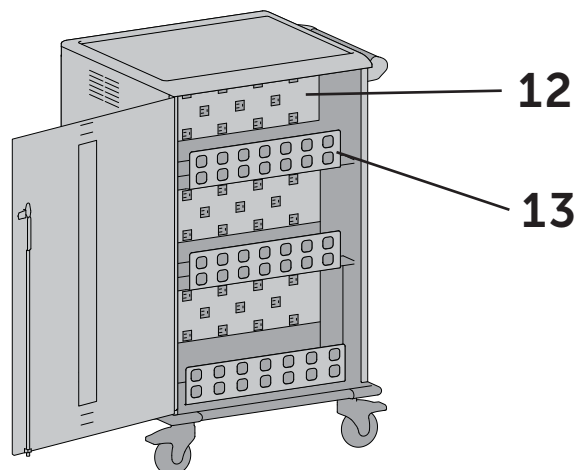
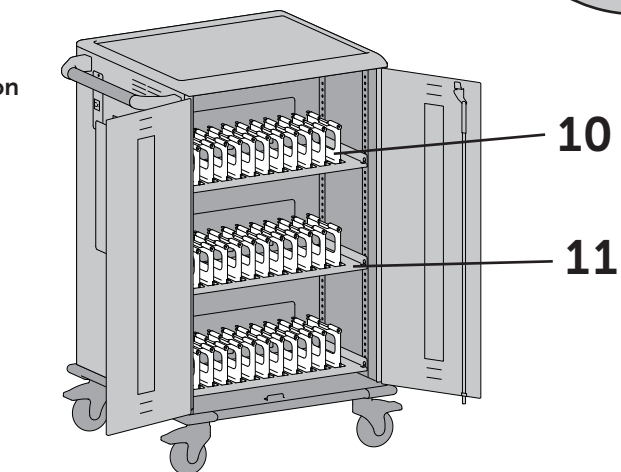
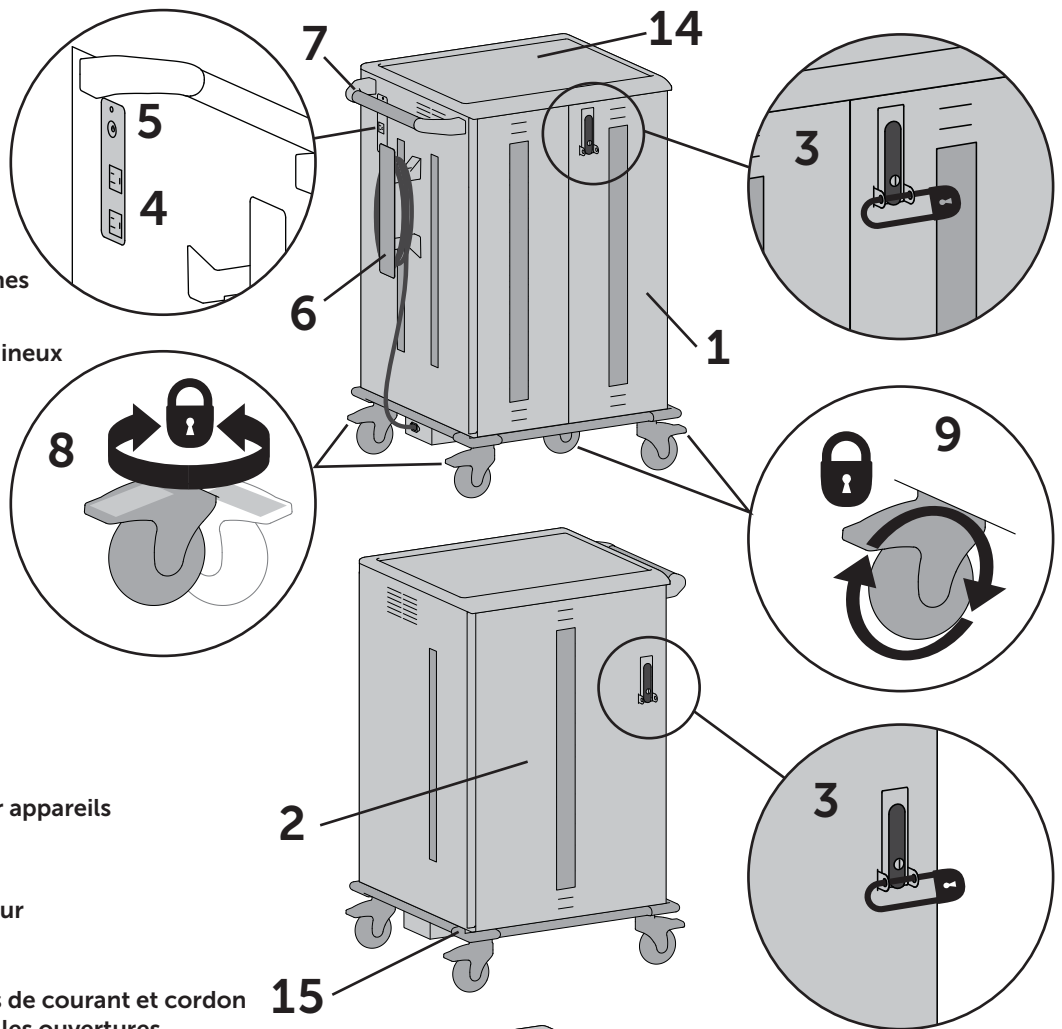
11 Étagères réglables en hauteur

12 Panneau central avec prises de courant et cordon d'alimentation à passer à travers les ouvertures

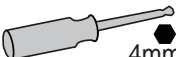

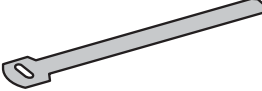
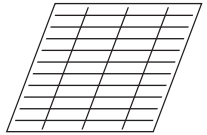
13 Plateaux de rangement pour les blocs d'alimentation

14 Étagère supérieure avec rebord de 1/4 po

15 Protections des coins

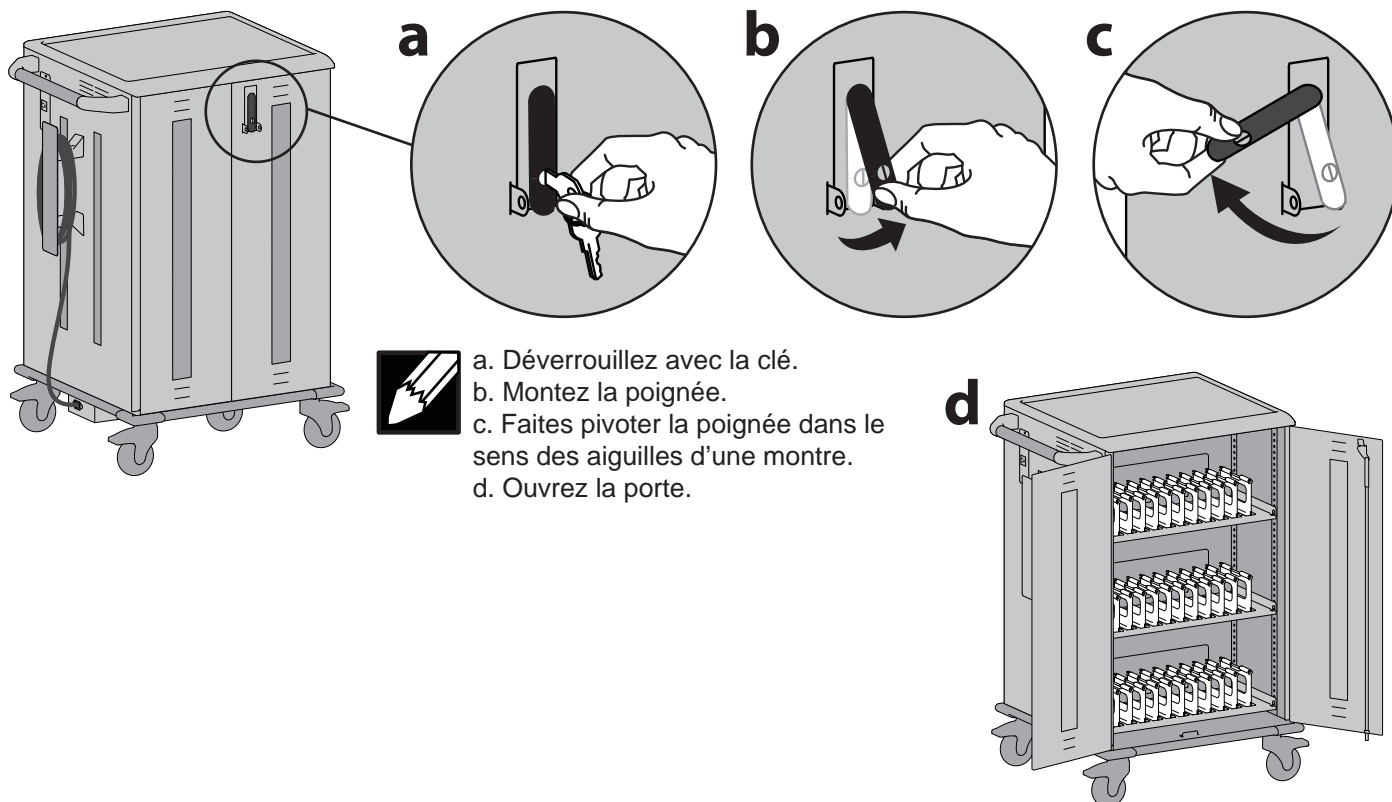


Livré avec la liste suivante d'éléments :

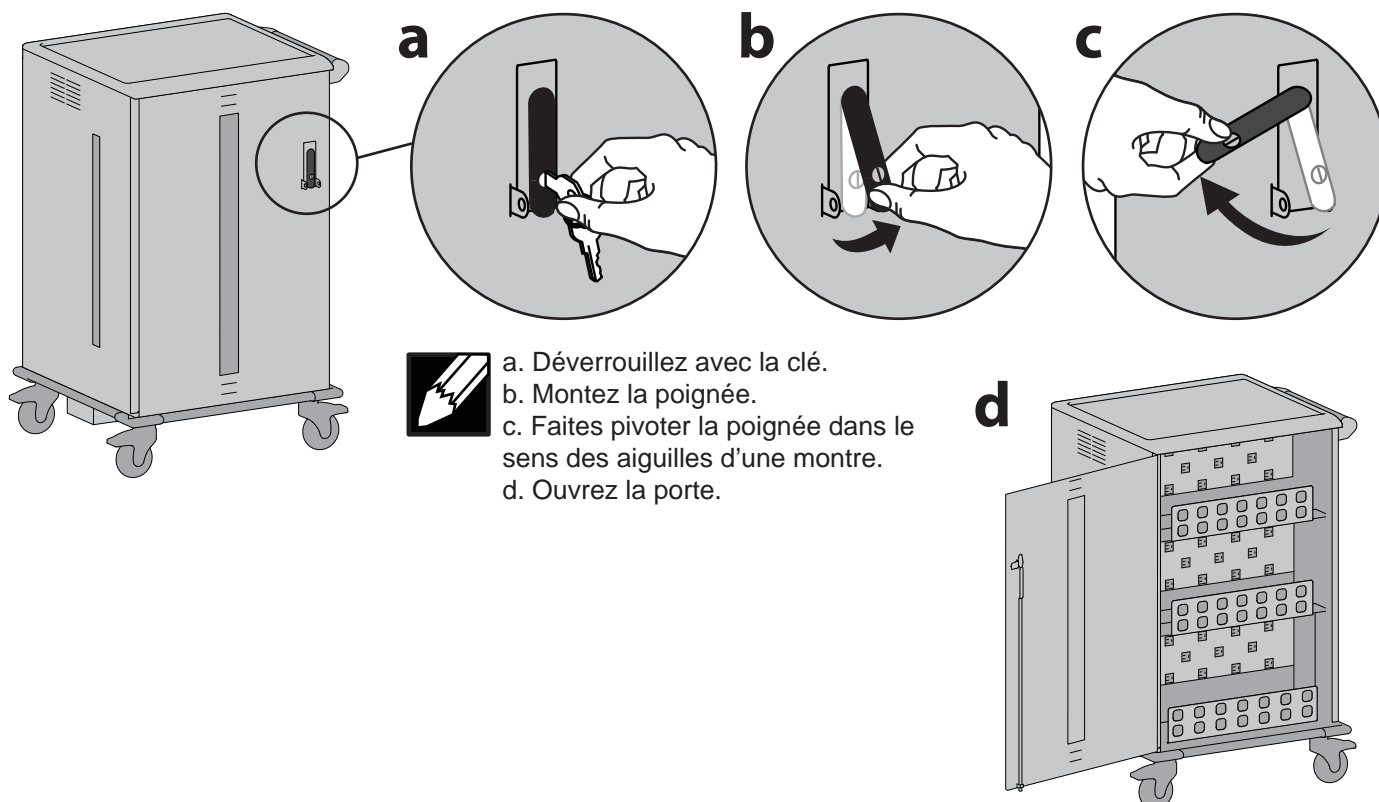
1x	 4mm
2x	
36x	
1x	 Étiquettes d'étagère (1-40)

# Configuration rapide

## 1 Déverrouiller et ouvrir les portes avant

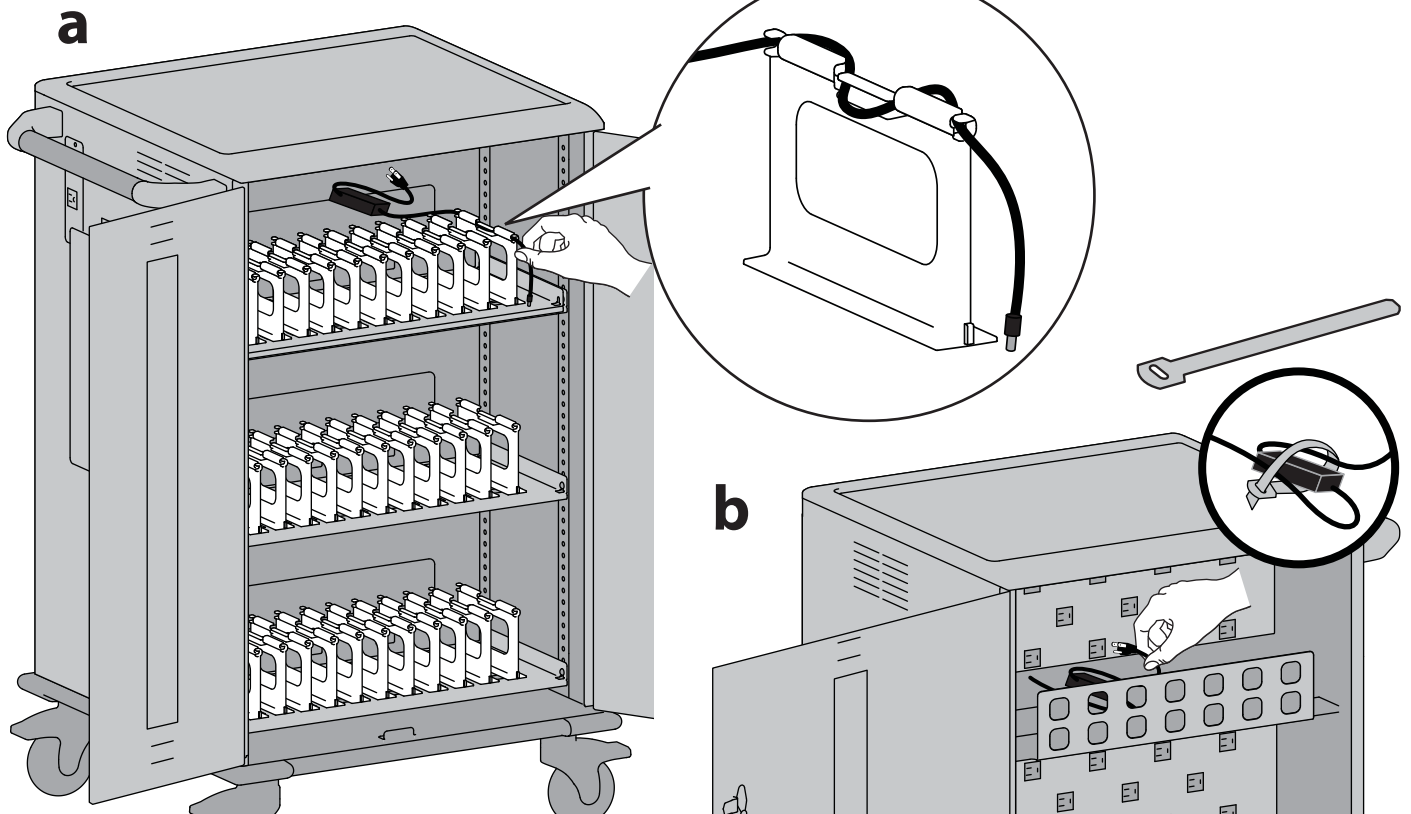


## 2 Abra la puerta trasera.



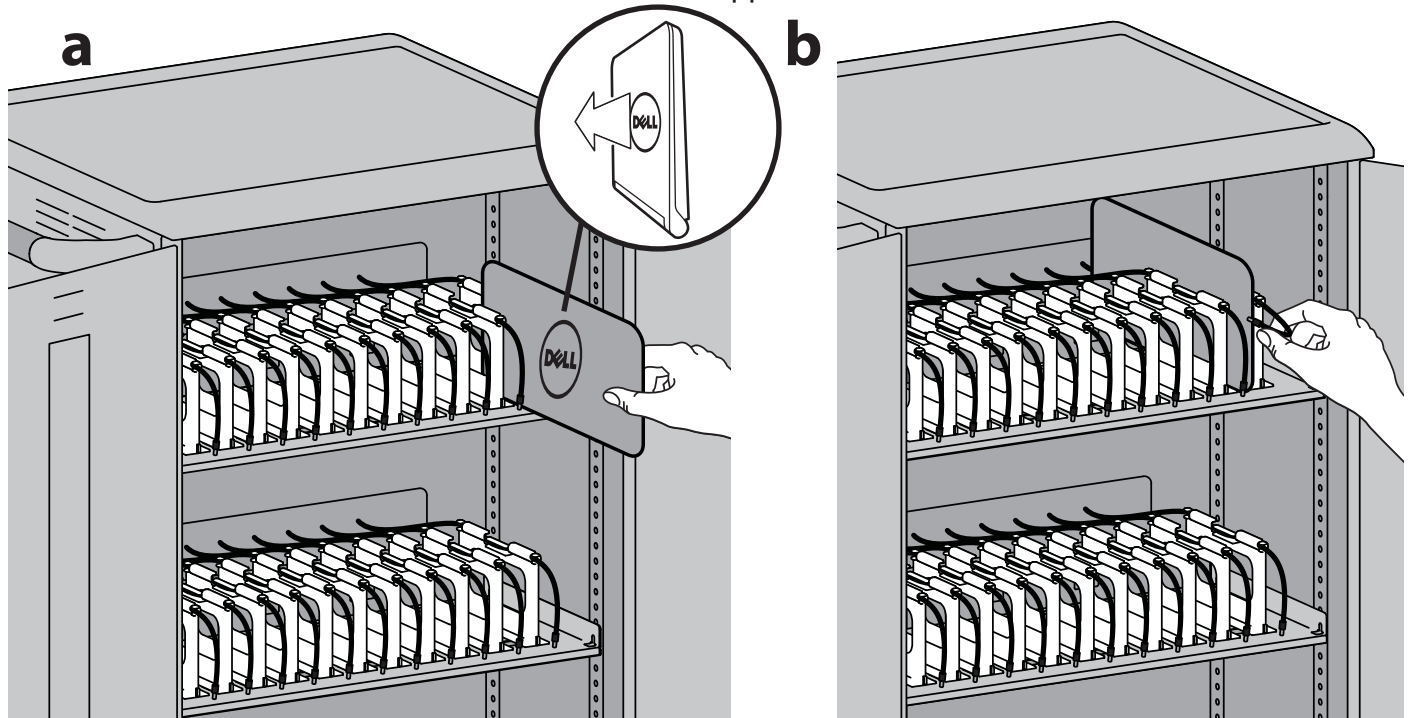
## Configuration rapide

- 3** a. Faites passer les câbles des appareils dans les séparateurs.  
b. Faites passer les blocs d'alimentation à travers le chariot jusqu'à l'arrière du chariot puis branchez-les dans les prises.



Rangez les blocs d'alimentation et les faisceaux de câbles sur les étagères pour blocs d'alimentation.

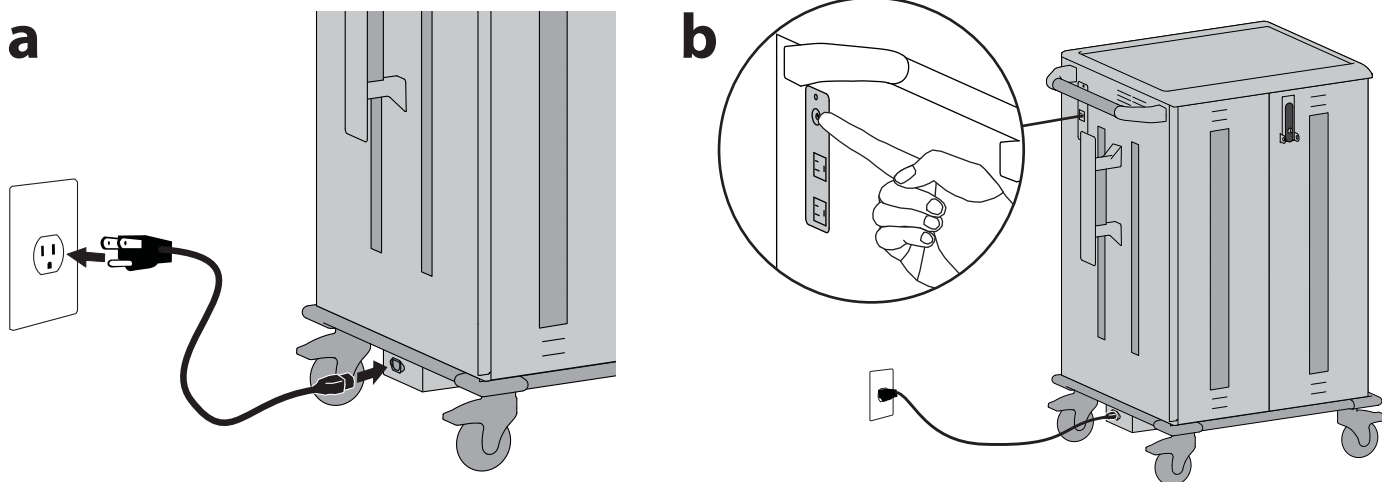
- 4** a. Insérez l'appareil dans le séparateur.  
b. Branchez le cordon d'alimentation dans l'appareil.



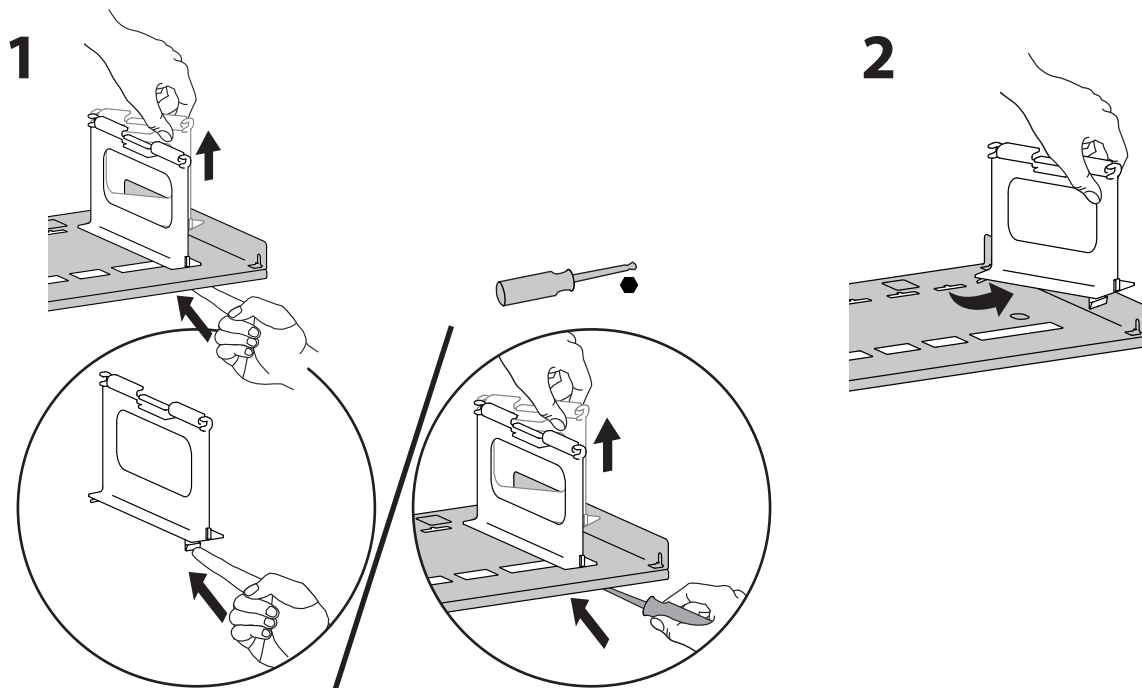


## Configuration rapide

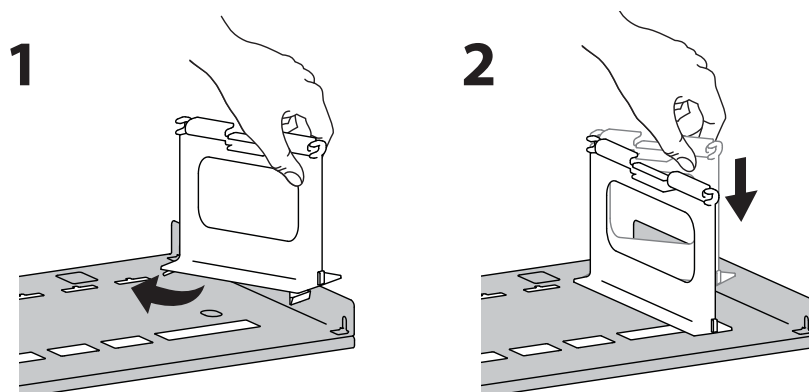
- 5** a. Branchez le cordon d'alimentation dans la base du chariot et dans la prise murale.  
b. Appuyez sur le bouton d'alimentation pour mettre sous tension.



## Comment enlever les séparateurs

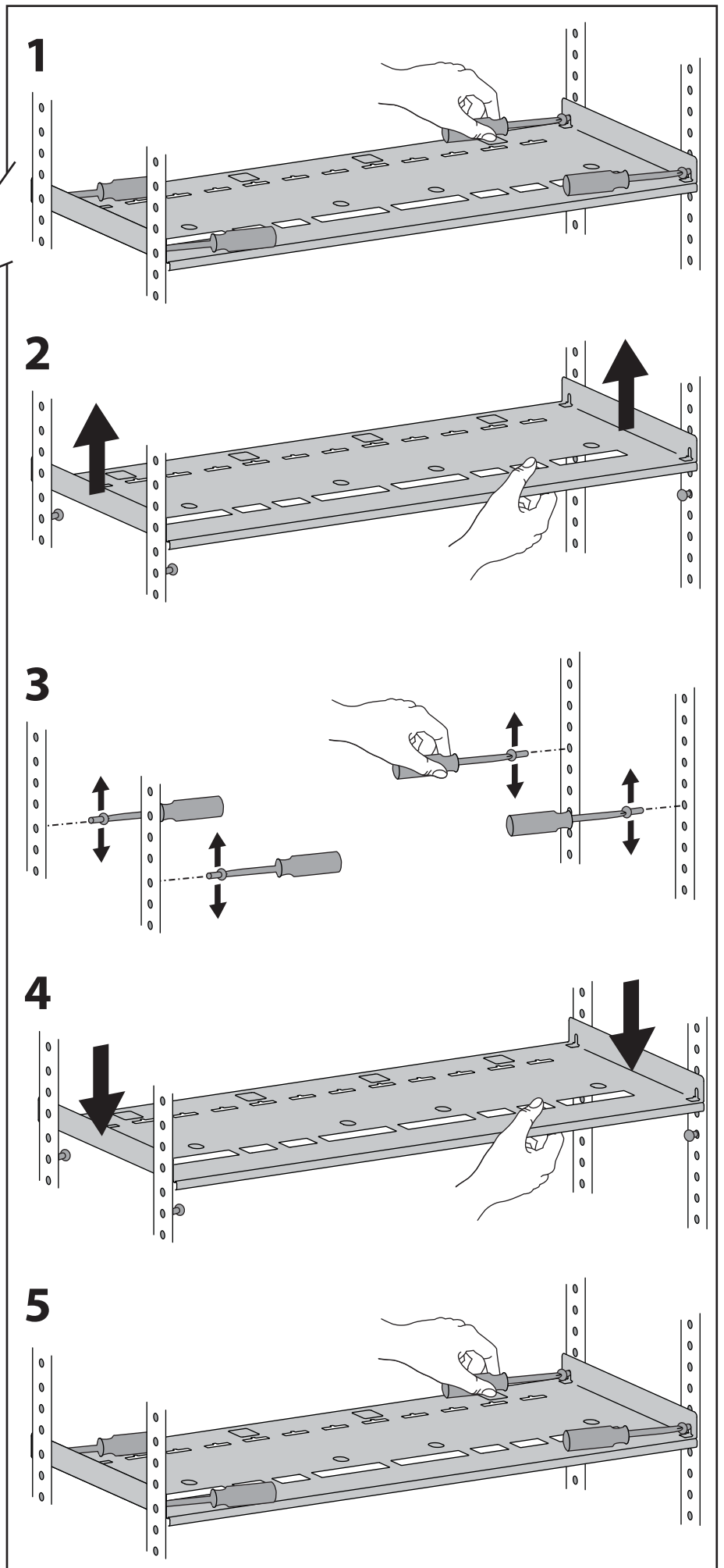
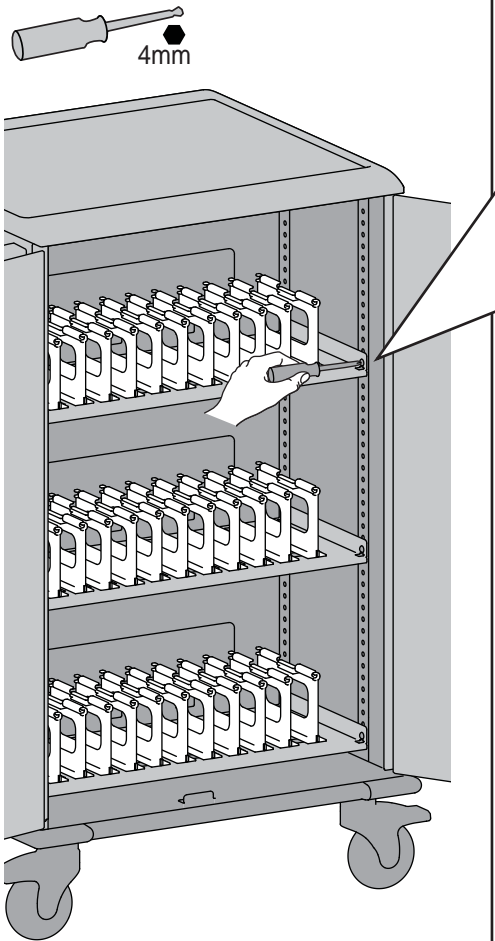


## Comment replacer les séparateurs




# Comment régler la hauteur de l'étagère

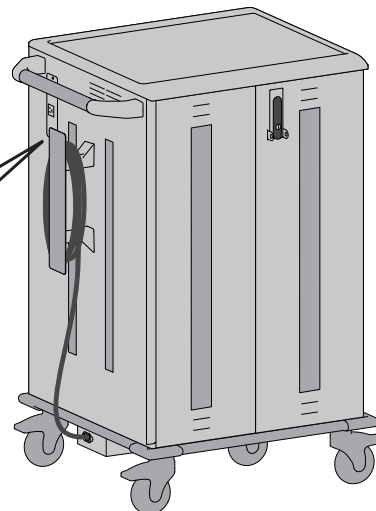
FRANÇAIS



# Service et garantie

Pour l'entretien, visitez [www.ergotron.com/Dell](http://www.ergotron.com/Dell) ou [www.dell.com/support](http://www.dell.com/support)

 **REMARQUE :** lorsque vous contactez le service client, communiquez le numéro de série situé au-dessus du logement externe de gestion des câbles.



Le numéro de série est nécessaire au droit de garantie.

Made In China DP/N 032NMJ



Service Tag: ABC1234



## Caractéristiques techniques

### Alimentation

120V~, 12A 60Hz

### Dimensions physiques

Hauteur : 106 cm (41,7 po)

Longueur : 73 cm (28,7 po)

Largeur : 64 cm (25 po)

Poids (sans appareils mobiles) 80 kg (176 lb)

Capacité de poids :

Surface supérieure 11,3 kg (25 lb)

Shelves (Top, Middle, Bottom) ea. 27,2 kg (60 lb)

Étagères (Supérieure, milieu, inférieure), chacune 27,2 kg (60 lb)

Test d'extrémité/Angle 10 degrés

Généralement compatible avec la plupart des appareils 13 po et certains appareils de 14 po

### Environnement

Plage de températures de fonctionnement :

Fonctionnement de 0° à 30°C (de 32° à 86°F)

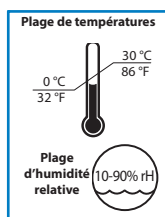
Stockage de -29° à 60°C (de -20° à 140°F)

Humidité relative (maximum) :

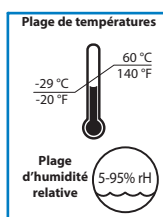
Fonctionnement de 10 % à 90 % (sans condensation)

Stockage de 5 % à 95 % (sans condensation)

Altitude (maximum) : 2 000 m (6 562 pieds)



Fonctionnement



Stockage

Température ambiante de fonctionnement élevée - une attention particulière doit être accordée à l'installation du chariot dans un environnement compatible, dont la température ambiante maximum (TAM) doit être de 30°C.

# Guide de dépannage

## L'interrupteur blanc d'alimentation, ON/OFF, clignote. Qu'est-ce que cela signifie ?

État de surintensité qui ne peut pas être résolu. Les appareils ont été mis hors tension. La cause de la surintensité pourrait être un appareil défectueux dans le chariot ou éventuellement un appareil branché dans une prise auxiliaire externe. Pour dépanner, éliminez la source de l'état de surintensité, puis débranchez et rebranchez au mur, ou éteignez puis rallumez au niveau de l'interrupteur d'alimentation. Si vous n'arrivez pas à déterminer quel appareil cause la surintensité, débranchez tous les appareils, allumez le chariot et branchez un appareil à la fois afin de déterminer quel appareil cause la surintensité.

## Lorsque je branche l'unité, le disjoncteur de mon bâtiment se déclenche. Aidez-moi !

Les chariots sont conçus pour fonctionner sur un circuit de 15 A. Si d'autres appareils sont branchés sur le même circuit, il existe peut-être une surcharge. Demandez à un électricien qualifié de vérifier la disponibilité d'une alimentation appropriée.





## Comment puis-je simplifier le pilotage du chariot ?

Ce chariot possède deux roulettes verrouillantes directionnelles qui facilitent le pilotage du chariot. Comment ? Les roulettes verrouillantes directionnelles ne pivotent pas - elles bloquent la direction des roulettes afin qu'elles avancent sur une ligne droite. Appuyez sur les languettes bleues de ces roulettes (situées sous la poignée) lorsque vous avez besoin de déplacer le chariot sur plus de quelques centimètres. Lorsque vous devez manœuvrer dans des espaces restreints, débloquez les languettes afin que les roulettes pivotent.

## Alertes de sécurité et sur le produit

### Examen des symboles de danger


Ces symboles avertissent les utilisateurs de conditions de sécurité nécessitant leur attention. Les utilisateurs doivent être en mesure de reconnaître et de comprendre ce que signifient les risques pour la sécurité suivants s'ils les voient sur le produit ou dans la documentation du produit. Les enfants qui ne peuvent pas reconnaître ni répondre correctement aux avertissements de sécurité ne doivent pas utiliser le produit sans la supervision d'un adulte !

Symbole	Mot signal	Niveau de danger
	<b>REMARQUE</b>	Une REMARQUE indique des informations importantes destinées à vous aider à mieux utiliser de ce produit.
	<b>ATTENTION</b>	La mention ATTENTION indique la possibilité de dommages matériels ou de perte de données ainsi que la manière d'éviter le problème.
	<b>AVERTISSEMENT</b>	Un AVERTISSEMENT indique la possibilité de blessures personnelles potentiellement mortelles et de dommages matériels.
	<b>ÉLECTRIQUE</b>	Un symbole électrique signale une situation électrique potentiellement dangereuse qui, si elle n'est pas évitée, risque d'entraîner des blessures potentiellement mortelles et des incendies.

# Sécurité des équipements électriques

Il existe des risques spécifiques liés à l'utilisation d'équipements munis de câbles d'alimentation. Vous devez être attentif à ces risques, et les éviter lorsque le chariot est situé à proximité d'enfants.


 **AVERTISSEMENT** : Le non-respect des consignes de sécurité électriques suivantes peut provoquer un incendie ou la mort par électrocution.


 **Circuit électrique** : Les câbles électriques peuvent être dangereux. Une mauvaise utilisation peut entraîner un incendie ou la mort par électrocution.


- Inspectez soigneusement les câbles d'alimentation avant chaque utilisation.
- N'utilisez pas de câbles qui sont endommagés.
- Insérez la fiche complètement dans la prise.
- Saisissez la fiche pour la retirer de la prise.
- Ne débranchez pas la fiche en tirant sur le câble.
- Ne forcez pas pour effectuer les branchements.
- N'utilisez qu'uniquement les blocs d'alimentation Dell fournis avec les systèmes Dell de ce chariot.
- Ne branchez pas le câble dans une rallonge.
- Ne retirez pas, ne pliez pas et ne modifiez pas les broches métalliques ou les fiches du câble.
- Ne conduisez pas sur le câble et ne traînez pas et ne posez pas d'objets dessus.
- Ne marchez pas sur le câble.
- Évitez la surchauffe. Déroulez le câble et ne le couvrez pas avec quoi que ce soit.
- Ne faites pas passer le câble par des cadres de porte ou des trous dans le plafond, ni dans les murs ou les planchers.


 **Circuit électrique : Gardez le chariot à l'écart de l'eau.**


- Ne l'utilisez pas lorsqu'il est mouillé.
- Ne placez pas le chariot à proximité de liquides ou de gaz inflammables.


 **ATTENTION** : Vous ne pouvez placer de TV ou de moniteur sur ce chariot.

 **ATTENTION** : Respectez toutes les précautions de sécurité contenues dans ce guide de référence liées au fonctionnement et à l'entretien ! Le non-respect de ces précautions de sécurité peut entraîner des blessures ou des dommages matériels.


 **ATTENTION** : Il n'y a pas d'interrupteur de mise sous tension et d'arrêt sur cet équipement ; la seule façon de le mettre hors tension est de débrancher le câble d'alimentation. La prise de courant doit donc être installée près de l'appareil et être facilement accessible.

 **AVERTISSEMENT** - risque de mort ou de blessures graves si des enfants montent sur du mobilier d'équipement audio et/ou vidéo. Une télécommande ou des jouets placés sur le meuble peuvent encourager un enfant à monter sur ce dernier, suite à quoi le meuble est susceptible de se renverser sur l'enfant.

 **AVERTISSEMENT** - déplacer un équipement audio et/ou vidéo sur un meuble qui ne serait pas spécifiquement conçu pour accueillir un équipement audio et/ou vidéo peut entraîner la mort ou des blessures graves dans le cas où le meuble s'effondrerait ou se renverserait sur un enfant.

 **DANGER !**  
**Risque d'électrocution**

DANGER ! Les câbles électriques peuvent être dangereux. Une mauvaise utilisation peut entraîner un incendie ou la mort par électrocution.



# Nettoyage et entretien



**AVERTISSEMENT :** Le non-respect des consignes de sécurité suivantes peut entraîner des blessures graves ou des dommages matériels.

Effectuez des inspections régulières pour détecter les dommages, la saleté et les débris. Toutes les peintures et composants en plastique utilisés dans le chariot supporteront un nettoyage par les solutions diluées non-abrasives les plus couramment utilisées, tels que les composés d'ammoniac quaternaire, les nettoyeurs enzymatiques à l'ammoniac, l'eau de Javel, ou les solutions d'alcool. Il est recommandé de tester les solutions de nettoyage sur une petite surface cachée pour s'assurer qu'elles n'abîment pas la surface du chariot.

- Les marques de marqueur permanent, de marqueur effaçable à sec, et de stylo peuvent être enlevées avec de l'alcool isopropylique à 91 % et un chiffon doux.
- Les tâches d'iode peuvent être retirées avec des produits nettoyeurs communs et un chiffon doux.
- Ne pas utiliser de laine d'acier ou autre matériau abrasif qui pourrait endommager le fini de la surface.



**Circuit électrique :** Pour éviter tout risque d'électrocution, ne pas exposer les composants électriques à l'eau, aux solutions de nettoyage ou autres liquides ou substances potentiellement corrosifs.



**Circuit électrique :** Ne plongez pas le chariot ou ses composants dans un liquide et ne laissez pas de liquide couler dans le chariot. Épongez immédiatement les solutions de nettoyage de la surface à l'aide d'un chiffon humide. Après nettoyage, séchez soigneusement la surface.



**Circuit électrique :** N'utilisez pas de nettoyeurs inflammables sur les surfaces du chariot.



**ATTENTION :** Réglage, entretien, remplacement : N'ESSAYEZ PAS de régler, de réparer ou de remplacer une pièce quelconque du chariot à moins d'y être invité par la documentation d'Ergotron (à savoir, les instructions d'installation). Seule Ergotron, Inc. ou une entité homologuée par Ergotron peut régler, réparer ou remplacer des composants du chariot. Si un composant du chariot est manquant ou endommagé, le chariot ne doit pas être utilisé. Contactez Ergotron immédiatement pour demander une pièce de rechange.



**ATTENTION :** Roulettes : contrôlez les roulettes régulièrement pour vous assurer qu'elles sont propres et exemptes de débris qui pourraient gêner le roulement. Évitez de déplacer le chariot sur des surfaces irrégulières, sales ou endommagées.



**ATTENTION :** Équipement du client : assurez-vous que l'équipement est équilibré et solidement fixé au chariot. Contactez Ergotron pour des informations sur les pièces mobiles du chariot.



**ATTENTION :** Tout changement ou modification qui n'est pas expressément approuvé par Ergotron peut annuler l'autorité qu'a l'utilisateur de faire fonctionner cet équipement.

# Recommandations d'utilisation sécuritaire

L'utilisation du chariot en mouvement ou stationnaire (pour le chargement ou le stockage) est liée à des risques spécifiques. Vous devez être attentif à ces risques, et les éviter lorsque le chariot est situé à proximité d'enfants.



**AVERTISSEMENT :** Le non-respect des consignes de sécurité du chariot suivantes peut entraîner des blessures graves ou des dommages matériels.

## Ce chariot ne doit être déplacé que par des adultes.

- Ne permettez à personne de s'asseoir, de se tenir debout ou de monter sur le chariot.
- Ne soulevez pas le chariot par-dessous.
- N'obstruez pas les orifices d'aération. Pour éviter la surchauffe, laissez au moins 127 mm (5 po) de dégagement autour des aérations.

## Le chariot est conçu pour être utilisé à l'intérieur uniquement.

- N'utilisez pas le chariot dans un autre but que celui qui est mentionné dans ce guide.
- N'utilisez pas le chariot pour stocker des liquides ou des produits de nettoyage.
- Ne placez pas d'objets lourds sur le dessus ou sur une étagère du chariot.
  - Le poids maximal supporté par le dessus du chariot est de 11,4 kg (25 lb).
  - Le poids maximal supporté par chaque étagère est de 27,2 kg (60 lb).
  - Le poids maximal supporté par chaque étagère pour blocs d'alimentation est de 5,4 kg (12 lb).

## Déplacer le chariot

- Avant de déplacer le chariot :
  1. Débranchez le câble d'alimentation du mur.
  2. Vérifiez que le câble est roulé et sécurisé.
  3. Fermez et verrouillez les portes.
  4. Dégagez complètement la surface de travail sur le dessus du chariot.
  5. Débloquez les roulettes verrouillantes rotatives avant.
- Poussez le chariot (ne le tirez pas) pour optimiser la maniabilité et éviter la fatigue musculaire.
- Ne déplacez pas le chariot sur des surfaces rugueuses, inégales ou irrégulières telles que du gravier.

## Stationner le chariot

Observez ces alertes de sécurité lorsque le chariot est stationnaire :

- Ne stationnez pas le chariot dans des zones très passantes.
- Ne faites pas passer les câbles par des cadres de porte ou des trous dans le plafond, les murs ou les planchers.
- Ne faites pas passer les câbles dans des couloirs ou des salles de classe, ou à d'autres endroits où ils seront piétinés.
- Ne laissez pas le chariot sans surveillance à des endroits auxquels les enfants ont accès.
- Fermez et verrouillez les portes du chariot chaque fois qu'il est sans surveillance ou en stationnement pour la recharge ou le stockage.
- Verrouillez les roulettes verrouillantes rotatives avant du chariot chaque fois qu'il est sans surveillance.



# Informations relatives à la sécurité, à l'environnement et aux réglementations

## Waste Electrical and Electronic Equipment (WEEE) Directive

This label indicates that this product should not be disposed of with household waste. It should be deposited at an appropriate facility to enable recovery and recycling. For information on how to recycle this product in your country, please visit: [Dell.com/recycle](http://Dell.com/recycle).

### 废弃电气电子设备 (WEEE) 指令

此标签表明该产品不得与生活垃圾一同处理。它应置于适当的设施中以便能够回收和循环利用。有关在贵国地区如何回收本产品的信息，请访问 [Dell.com/recycle](http://Dell.com/recycle)

### Директива за изхвърляне на електрическо и електронно оборудване (WEEE)

Този етикет означава, че този продукт не бива да се изхвърля заедно с домашните отпадъци. Той трябва да бъде изхвърлен на подходящо място, за да се позволи възстановяването или рециклирането му. За информация относно отговорността за рециклиране на този продукт във вашата страна, молимо посетете: [Dell.com/recycle](http://Dell.com/recycle).

### Směrnice WEEE (Waste Electrical and Electronic Equipment)

Tento štítek označuje, že tento produkt nesmí být likvidován s domovním odpadem. Musí být předán specializované sběrně pro recyklaci a další využití. Pokyny o recyklaci tohoto produktu ve vaší zemi viz: [Dell.com/recycle](http://Dell.com/recycle).

### Direktiv for bortskaffelse af elektrisk og elektronisk udstyr (WEEE)

Denne etiket indikerer, at dette produkt ikke bør kasseres sammen med husholdningsaffald. Det bør bortskaffes ved en egnet facilitet for at muliggøre genbrug. For information om hvordan dette produkt genbrugs i dit land, bedes du gå til: [Dell.com/recycle](http://Dell.com/recycle).

### Richtlijn WEEE, Waste Electrical and Electronic Equipment (afदान van elektrische en elektronische apparaten)

Dit label geeft aan dat dit product niet via huishoudelijk afval mag worden afgedankt. Het moet gedeponerd worden bij een daarvoor geschikte voorziening zodat herstel en recycling mogelijk zijn. Raadpleeg voor meer informatie over verantwoorde recycling van dit product in uw land de website: [Dell.com/recycle](http://Dell.com/recycle).

### Elektriliste ja elektrooniliste seadmete kasutusjärgne töötlemine (direktiiv WEEE)

Selline silt tähistab toodet, mida ei tohi pärast kasutust olmejäätmete hulka visata. Tavaline toode tuleb viia jäätmekäitlusettevõttesse, kus seda nõuetekohaselt töödeldakse. Toote käitlemise kohta oma kodumaal leiate teavet aadressilt [Dell.com/recycle](http://Dell.com/recycle).

### Direktiivi sähkö- ja elektroniikkalaiteromusta (WEEE)

Tämä tarra tarkoittaa, että tuotetta ei tule hävittää kotitalousjätteen joukossa. Se tulee toimittaa asianmukaiseen paikkaan uudelleenkäyttöä tai kierrätystä varten. Tietoja tämän tuotteen kierrättämisestä eri maissa saat seuraavasta osoitteesta: [Dell.com/recycle](http://Dell.com/recycle).

## Directive sur la mise au rebut des appareils électriques et électroniques (Waste Electrical and Electronic Equipment - WEEE)

Cette étiquette indique que ce produit ne doit pas être jeté avec les déchets ménagers. Il doit être mis au rebut dans un centre de dépôt spécialisé pour un recyclage approprié. Pour obtenir davantage d'informations sur le recyclage approprié de ce produit dans votre pays, veuillez vous rendre sur le site : [Dell.com/recycle](http://Dell.com/recycle).

### Richtlinie für Abfall von elektrischen und elektronischen Geräten (WEEE)

Dieses Etikett weist darauf hin, dass dieses Produkt nicht mit dem Hausmüll entsorgt werden sollte. Es sollte an einer entsprechenden Einrichtung abgegeben werden, um Wiedergewinnung und Recycling zu ermöglichen. Weitere Informationen über das Recyceln dieses Produkts erhalten Sie unter: [Dell.com/recycle](http://Dell.com/recycle).

### Οδηγία σχετικά με τα απόβλητα ειδών ηλεκτροικού και ηλεκτρονικού εξοπλισμού (AHHE)

Αυτή η ετικέτα υποδεικνύει ότι το συγκεκριμένο προϊόν δεν πρέπει να απορριπτεί μαζί με το οικιακό απορρίμμα. Θα πρέπει να απορριπτεί σε κατάλληλο χώρο ώστε να είναι δυνατή η ανάκτηση και η ανακύκλωση. Για πληροφορίες σχετικά με την ανακύκλωση αυτού του προϊόντος στη χώρα σας, επισκεφθείτε τη διεύθυνση: [Dell.com/recycle](http://Dell.com/recycle).

### Waste Electrical and Electronic Equipment (WEEE), azaz az elektromos és elektronikus berendezések hulladékaira vonatkozó irányelv

Az ilyen címkével jelölt terméket tilos háztartási hulladékként kezelni. Az ilyen hulladékok a helyreállítathóság és az újrahasznosíthatóság érdekében a megfelelő elfogadóhelyre kell szállítani. A termék saját országán belül érvényes újrahasznosításával kapcsolatban információt a következő weboldalon talál: [Dell.com/recycle](http://Dell.com/recycle).

### Direttiva Rifiuti di apparecchiature elettriche ed elettroniche (RAEE)

Questa etichetta indica che il prodotto non deve essere smaltito insieme ai rifiuti domestici. Deve essere depositato in un impianto adeguato che sia in grado di eseguire operazioni di recupero e riciclaggio. Per informazioni sulle procedure di riciclaggio di questo prodotto nel proprio Paese, visitare: [Dell.com/recycle](http://Dell.com/recycle).

### Direktiva par elektriskajiem un elektroniskajiem atkritumiem

Šis apzīmējums norāda, ka produktu nedrīkst izmett kopā ar sadzīves atkritumiem. Tas ir jānodod atbilstošā savākšanas punktā, lai pareizi atjaunotu vai pārstrādātu. Informāciju par šī produkta pārstrādes iespējām jūsu valstī skatiet: [Dell.com/recycle](http://Dell.com/recycle).

### Direktiva dėl elektros ir elektroninės įrangos atliekų (Waste Electrical and Electronic Equipment, WEEE)

Šis ženklas rodo, kad šio gaminio negalima išmesti kartu su buitiniomis atliekomis. Nebenaudojamą gaminį reikia atiduoti į tam skirtą punktą atnaujinti arba perdirbti. Informacijos apie tinkamą šio gaminio perdirbimą jūsų šalyje rasite interneto svetainėje: [Dell.com/recycle](http://Dell.com/recycle).

## Direttiva dwar Skart maghmul minn Taghmir Elettroniku u Elettriku (Waste Electrical and Electronic Equipment - WEEE)

Din it-tikketta tindika li dan il-prodott m'għandux jintrema ma' l-iskart domestiku. Għandu jintrema f'facilità adattata fejn ikun jista' jiġi rkuprat u riciklat. Għal aktar tagħrif dwar kif għandek tirricikla dan il-prodott fil-pajjiż tiegħek, jekk jogħġbok zur: [Dell.com/recycle](http://Dell.com/recycle).

### Direktivt for kassert elektrisk og elektronisk utstyr (WEEE)

Dette merket angir at produktet ikke skal kastes sammen med husholdningsaffald. Det skal leveres til et mottak for spesialavfall for gjenvinning og resirkulering. For informasjon om hvordan du resirkulerer dette produktet i ditt land, vennligst besøk: [Dell.com/recycle](http://Dell.com/recycle).

### Dyrektiva dotycząca odpadów urządzeń elektrycznych i elektronicznych (WEEE)

Etykieta ta oznacza, że tego produktu nie należy wyrzucać razem z odpadami z gospodarstwa domowego. Należy go przekażać do odpowiedniego zakładu, gdzie zostanie poddany odzyskowi i recyklingowi. Informacje o sposobie recyklingu tego produktu w poszczególnych krajach można znaleźć pod adresem: [Dell.com/recycle](http://Dell.com/recycle).

### Directiva WEEE (Waste Electrical and Electronic Equipment)

Esta etiqueta indica que esse produto não deve ser eliminado juntamente com o lixo normal. Deve ser depositado numa instalação apropriada para recolha e reciclagem. Para obter informações sobre como reciclar este produto de forma responsável no seu país, visite: [Dell.com/recycle](http://Dell.com/recycle).

### Directiva privind deeurile provenite din echipamentele electrice și electronice (WEEE)

Această etichetă indică faptul că acest produs nu trebuie aruncat laolaltă cu gunoii menajeri. El trebuie depozitat într-un loc special amenajat pentru a permite recuperarea și reciclarea. Pentru informații privitoare la reciclarea în mod responsabil a acestui produs în țara dvs., [Dell.com/recycle](http://Dell.com/recycle).

### Директива об утилизации электрического и электронного оборудования (WEEE)

Эта маркировка означает, что данный продукт не следует утилизировать вместе с бытовым мусором. Продукт следует утилизировать на специализированном предприятии, чтобы в дальнейшем его можно было переработать. Информацию о правилах утилизации изделий в вашей стране можно получить на веб-узле: [Dell.com/recycle](http://Dell.com/recycle).

### Smernica o odpadoch z elektrických a elektronických zariadení (WEEE)

Tento štítek znamená, že sa výrobok nesmie likvidovať ako komunálny odpad. Musí sa odovzdať na príslušnom mieste na obnovu alebo recykláciu. Informácie o správnej recyklácii tohto produktu vo vašej krajine nájdete na stránke: [Dell.com/recycle](http://Dell.com/recycle).

## Direktiva o odlaganju električne in elektronske opreme (WEEE)

Ta znak označuje, da izdelek ni primeren za odlaganje skupaj z običajnimi gospodinjiskimi odpadki. Odložiti ga je treba na ustreznem mestu za odlaganje in reciklažo. Za informacije o reciklaži tega izdelka v vaši državi obiščite: [Dell.com/recycle](http://Dell.com/recycle).

### Residuos de Aparatos Eléctricos y Electrónicos (RAEE)

Esta etiqueta indica que la eliminación de este producto no se puede hacer junto con el deshecho doméstico. Se debe depositar en una instalación apropiada que facilite la recuperación y el reciclado. Para obtener más información sobre cómo reciclar este producto en su país, visite el sitio web: [Dell.com/recycle](http://Dell.com/recycle).

### Direktiv för kassering av elektrisk och elektronisk utrustning (WEEE - Waste Electrical and Electronic Equipment)

Den här etiketten betyder att produkten inte får slängas i hushållsaffallet. Den ska lämnas in på en återvinningsstation. Information om hur produkten återvinns i ditt land finns på adressen [Dell.com/recycle](http://Dell.com/recycle). Inom EU betyder den här etiketten att produkten inte får slängas i hushållsaffallet. Den ska lämnas in på en återvinningsstation. Information om hur produkten återvinns i ditt land finns på adressen [Dell.com/recycle](http://Dell.com/recycle).

### Waste Electrical and Electronic Equipment (WEEE) Yönetmeliği

Bu etiket, ürünün ev elektroniği aletleri atıkları ile imha edilmeyeceğini gösterir. Kurtarmak ve geri dönüşümünü sağlamak için uygun şartlarda saklanması gerekir. Bu ürünün geri dönüşümünün nasıl sağlanacağı konusunda bilgi için lütfen şu adresi ziyaret edin: [Dell.com/recycle](http://Dell.com/recycle). EEE Yönetmeliğine Uygundur. Ev Elektriklik Eşyalarıda Bazi Zararlı Maddelerin Kullanımının Sınırlanmasında Dair Yönetmelik

FRANÇAIS



# Informations relatives à la sécurité, à l'environnement et aux réglementations

## Déclaration de conformité FCC

Cet appareil a été contrôlé et répond aux exigences relatives aux appareils numériques de classe A conformément à la partie 15 des directives FCC. Ces contraintes sont destinées à fournir une protection raisonnable contre les interférences nuisibles quand l'appareil est utilisé dans une installation commerciale. Cet équipement produit, utilise et peut émettre de l'énergie radio électrique et, s'il n'est pas installé et utilisé conformément aux instructions, peut causer des interférences nuisibles aux communications radio. L'utilisation de cet appareil dans une installation résidentielle peut entraîner des interférences nuisibles, lesquelles devront être corrigées aux frais de l'utilisateur.

Le fonctionnement de cet appareil est soumis aux deux conditions suivantes : (1) cet appareil ne peut causer d'interférences nuisibles et (2) il doit accepter toute interférence reçue, notamment celles pouvant entraîner un dysfonctionnement.

Avertissement FCC : tout changement ou modification qui n'est pas expressément approuvé par Ergotron peut annuler l'autorité qu'a l'utilisateur de faire fonctionner cet équipement.

This Class A digital apparatus complies with Canadian CAN ICES-3(A)/NMB-3(A). / Cet appareil numérique de la classe A est conforme à la norme CAN ICES-3(A)/NMB-3(A) du Canada.

## Registration, Evaluation, Authorization of Chemicals (REACH)

REACH is the European Union (EU) chemical substances regulatory framework. Information on substances of very high concern contained in Dell products in a concentration above 0.1% weight by weight (w/w) can be found at [Dell.com/REACH](http://Dell.com/REACH)

## Registration, Evaluation, Authorization of Chemicals (REACH)

REACH is het regelgevingskader van de Europese Unie (EU) op het gebied van chemische stoffen. Informatie over zeer gevaarlijke stoffen in Dell-producten in een concentratie van boven de 0,1% gewicht per gewicht (w/w) is te vinden op [Dell.com/REACH](http://Dell.com/REACH)

## Enregistrement, évaluation, autorisation des produits chimiques (REACH)

REACH est le programme de réglementation des produits chimiques dans l'Union européenne (UE). Vous trouverez des informations sur les substances très préoccupantes que contiennent les produits Dell en concentration supérieure à 0,1% en poids (m/m) sur [Dell.com/REACH](http://Dell.com/REACH)

## REACH (Registration, Evaluation, Authorization of Chemicals - Registo, avaliação e autorização de substâncias químicas)

O REACH é o sistema regulador de substâncias químicas da União Europeia (UE). As informações sobre substâncias que são motivo de grande preocupação existentes nos produtos Dell numa concentração acima de 0,1% peso por peso (p/p) podem ser encontradas em [Dell.com/REACH](http://Dell.com/REACH)

## Registro, evaluación y autorización de productos químicos (Registration, Evaluation, Authorization of Chemicals - REACH)

REACH es el organismo de regulación de sustancias químicas de la Unión Europea (UE). La información sobre sustancias de alto riesgo contenidas en productos Dell en una concentración superior al 0,1% peso por peso (p/p) se puede encontrar en [Dell.com/REACH](http://Dell.com/REACH)

## Registrierung, Beurteilung und Zulassung von Chemikalien (REACH, Registration, Evaluation, Authorization of Chemicals)

Die EU-Richtlinie REACH ist das Regelwerk der Europäischen Union für chemische Substanzen. Informationen zu bedenklichen Substanzen, die in Dell-Produkten in einer Konzentration von mehr als 0,1 Gewichtsprozent (w/w, Weight by Weight) enthalten sind, finden Sie unter [Dell.com/REACH](http://Dell.com/REACH)



## Garantie :

5 ans pour les composants et fonctions mécaniques, 3 ans pour les composants et fonctions électriques et 1 an pour les câbles. Tous les composants provenant de tiers seront sous la garantie fixée par leur fabricant.

SOLUTION PERSONNALISÉE POUR DELL PAR  
ERGOTRON Pour toute information sur le service,  
visitez : [www.ergotron.com/Dell](http://www.ergotron.com/Dell)  
ou [www.dell.com/support](http://www.dell.com/support).

## ERGOTRON®

Tandis qu'Ergotron, Inc. fait tous les efforts pour fournir des renseignements précis et complets sur l'installation et l'utilisation de ses produits, elle ne sera pas tenue responsable pour toutes erreurs ou omissions éditoriales (y compris celles qui sont commises pendant la traduction de l'anglais vers une autre langue), ou pour des dommages fortuits, spéciaux ou consécutifs de quelque nature que ce soit consécutifs à la fourniture de cette information et des performances du matériel en rapport avec cette information. Ergotron, Inc. se réserve le droit de procéder à des changements dans la conception du produit et/ou de la documentation du produit sans le notifier à ses utilisateurs. Pour l'information de produit la plus récente, ou pour savoir si ce document est disponible dans des langues autres que les présentes, veuillez contacter le Service à la clientèle d'Ergotron. Il est interdit de reproduire ou de transmettre le contenu de la présente publication, sous quelque forme ou par quelque moyen que ce soit, enregistrement sur support magnétique, reproduction électronique, mécanique, photographique, ou autre, ou de l'emmagasiner dans un système de recouvrement, sans l'autorisation écrite préalable d'Ergotron, Inc., 1181 Trapp Road, Eagan, Minnesota, 55121, USA Brevets en instance et breveté pour les Etats-Unis et l'étranger. Ergotron est une marque déposée d'Ergotron, Inc.

© 2016 Ergotron, Inc. All rights reserved.